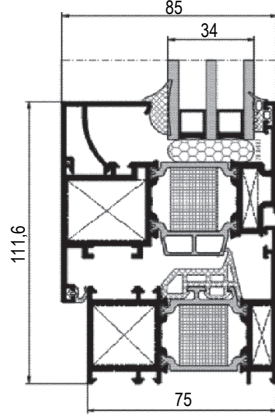
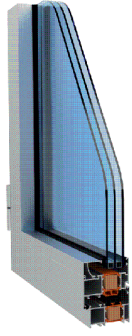


# MİMARİ KATALOG ARCHITECTURAL CATALOGUE

Alüminyum Kapı Pencere ve Giydirme Cephe Sistemleri  
Aluminium Door Window and Facade Systems



# RWT75





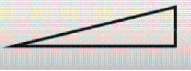
TEKNİK ÖZELLİKLER / TECHNICAL PROPERTIES

KASA DERİNLİĞİ / FRAME DEPTH	75mm
KANAT DERİNLİĞİ / VENT DEPTH	65/85mm
PROFİL ET KALINLIĞI / PROFILE GLASS THICKNESS	1,6 / 2mm
MAKS. CAM KALINLIĞI / MAX. GLASS THICKNESS	48mm / 58mm
ISI BARIYERLERİ / THERMAL INSULATION BAR	34mm

KULLANIM SEÇENEKLERİ / APPLICATION ALTERNATIVES

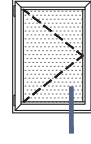
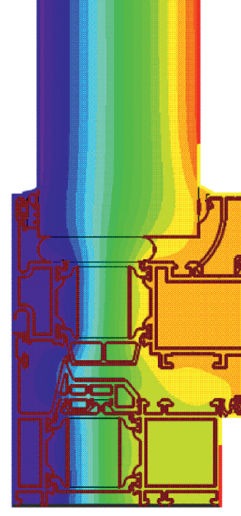
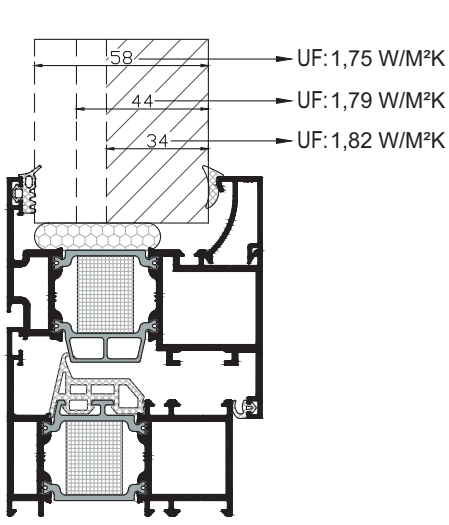
	KAPI DOOR	PENCERE WINDOW
İÇE AÇILIR / INWARD OPENING	•	•
DIŞA AÇILIR / OUTWARD OPENING	•	•
VASİSTAS / BOTTOM HUNG		•
İÇE AÇILIR HEMYÜZ KAPI / INWARD OPENING COPLANAR DOOR	•	
ÇİFT EKSEN AÇILIM / TILT&TURN OPENING	•	•
PVC AKSESUAR İÇİN KANAT / VENT FOR PVC ACCESSORIES	•	•
ÇEK&SÜR / TILT&SLIDE	•	•

PERFORMANS DEĞERLERİ / PERFORMANCE VALUES 

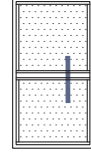
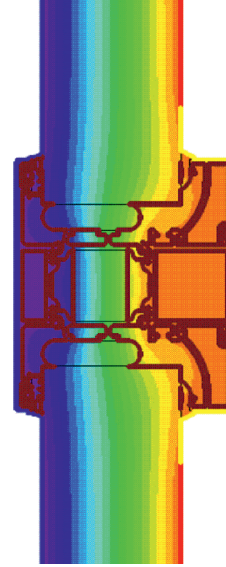
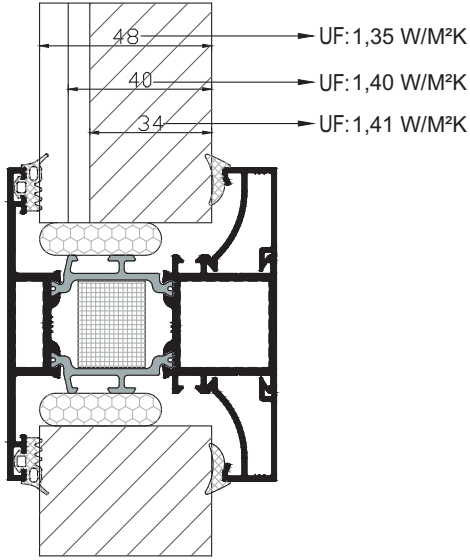
HAVA GEÇİRGENLİĞİ - EN 12207 (AIR PERMEABILITY)	1 (150 Pa)	2 (300 Pa)	3 (450 Pa)	4 (600 Pa)						
SU SIZDIRMAZLIĞI - EN 12208 (WATERTIGHTNESS)	2A (50 Pa)	3A (100 Pa)	4A (150 Pa)	5A (200 Pa)	6A (250 Pa)	7A (300 Pa)	8A (450 Pa)	9A (600 Pa)	E... (600+ Pa)	E1650 (1650 Pa)
RÜZGAR YÜKÜNE DAYANIM - EN 12210 (RESISTANCE TO WIND LOAD)	1 (400 Pa)	2 (800 Pa)	3 (1200 Pa)	4 (1600 Pa)	5 (2000 Pa)	E... (2000+ Pa)				
SEHİM KRİTERİ - EN 12210 (DEFLECTION CRITERIA)	A (L/150)	B (L/200)	C (L/300)							
STATİK BURULMA - TS EN 13115 (STATIC TORSION)	4 (350 N)									
SİSTEM UF DEĞERİ - EN 10077-2 (THERMAL INSULATION VALUE)	 1,35~1,82 W/m²K									
SİSTEM SES YALITIMI - TS EN ISO 717-1 (ACOUSTIC PERFORMANCE VALUE)	  Rw(C;Ctr)=42(-2;-6) dB									

## ISI YALITIM DEĞERLERİ (UF) / THERMAL INSULATION VALUE (UF):

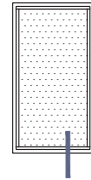
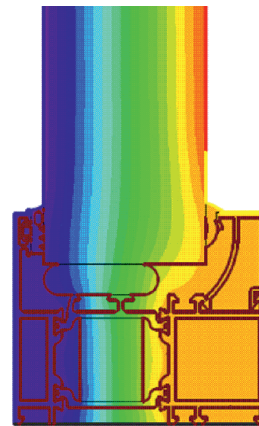
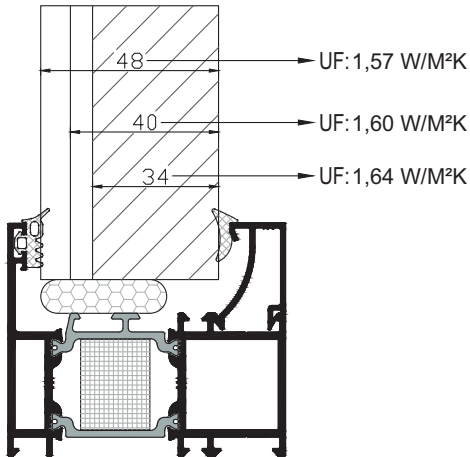
Cam Kalınlıkları (glass thickness) : min. 29mm - max. 58mm



Cam Kalınlıkları (glass thickness): min. 23mm - max. 48mm



Cam Kalınlıkları (glass thickness) : min. 23mm - max. 48mm



01

02

03

04

05

06

07

08

09

10

11

12





# MİMARİ KATALOG ARCHITECTURAL CATALOGUE

Alüminyum Kapı Pencere ve Giydirme Cephe Sistemleri  
Aluminium Door Window and Facade Systems



Rescara Sistem Detayları  
Rescara System Details

# RWT75

PROFİLLER

PROFILES

01

02

03

04

05

06

07

08

09

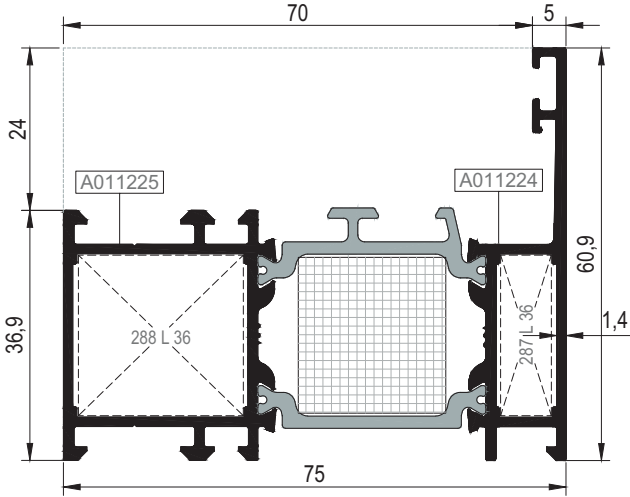
10

11

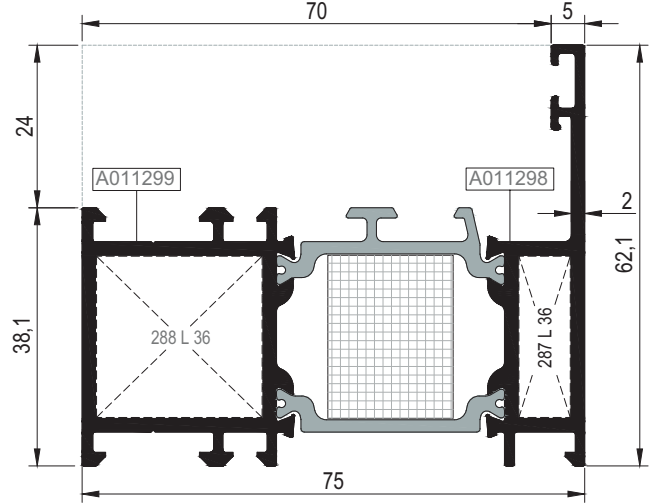
12

KOD / CODE	AĞIRLIK (kg/m) / WEIGHT	Jxx cm <sup>4</sup>	Jyy cm <sup>4</sup>	L m	
AMT75F02	1,482	26,305	10,363	6	
AMT75F05	2,078	43,378	27,169	6	
AMT75F03	1,774	32,727	12,297	6	

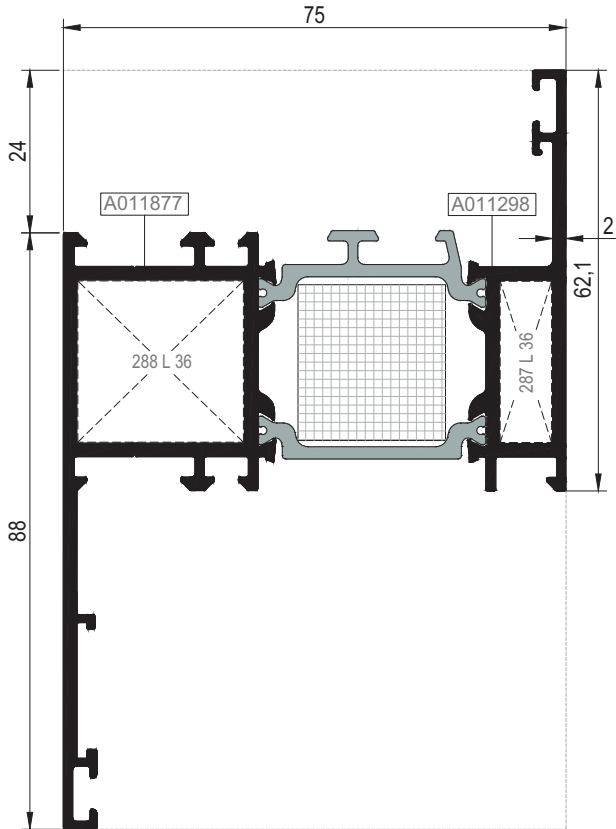
AMT75F02



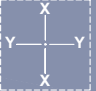
AMT75F03



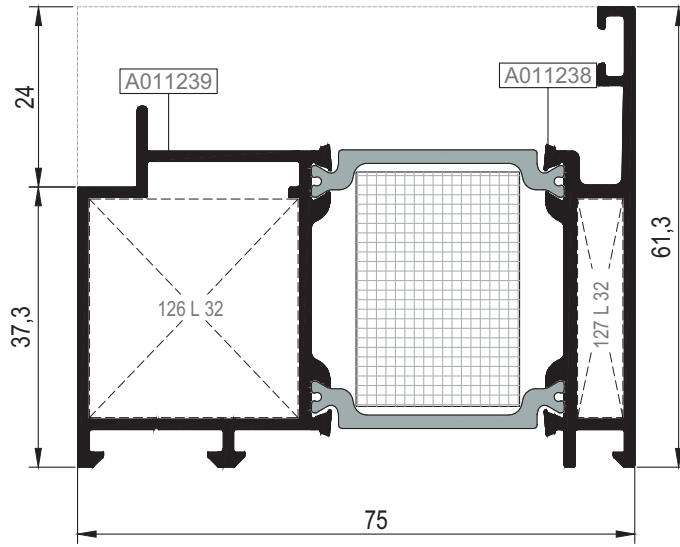
AMT75F05



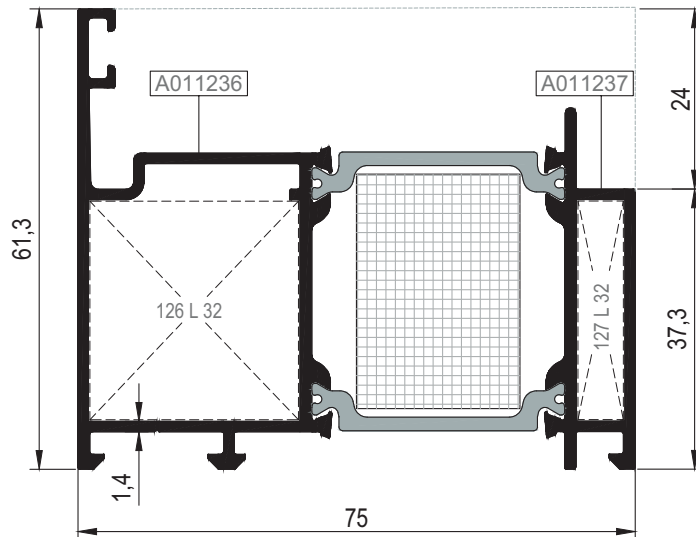
Nr		L m	KEŞİM ÖLÇÜSÜ CUTTING SIZE	AKS. KODU ACS. CODE
AMT75F02	A011225	25 L 36 (A002397)	24,6 mm	288 L 36
	A011224	25 L 36 (A002397)	7,6 mm	287 L 36
AMT75F03	A011299	25 L 36 (A002397)	24,6 mm	288 L 36
	A011298	25 L 36 (A002397)	7,6 mm	287 L 36
AMT75F05	A011877	25 L 36 (A002397)	24,6 mm	288 L 36
	A011298	25 L 36 (A002397)	7,6 mm	287 L 36

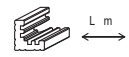

KOD / CODE	AĞIRLIK (kg/m) / WEIGHT	Jxx cm <sup>4</sup>	Jyy cm <sup>4</sup>	L m	
AMT75DF01	1,508	9,248	36,114	6	
AMT75DF02	1,498	9,243	36,584	6	

AMT75DF01 (İÇE AÇILIM KAPI İÇİN/ INSIDE OPENING)



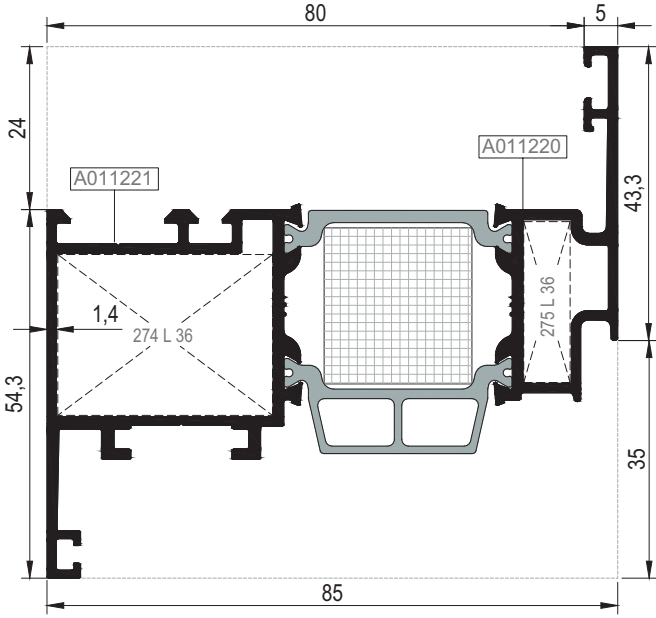
AMT75DF02 (DIŞA AÇILIM KAPI İÇİN/ OUTSIDE OPENING)



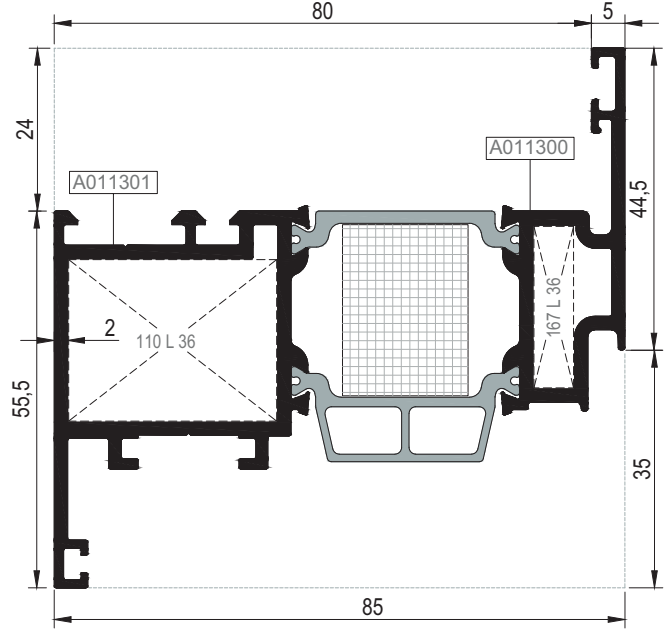
Nr	 L m	KESİM ÖLÇÜSÜ CUTTING SIZE	 AKS. KODU ACS. CODE	
AMT75DF01	A011239	25 L 32 (A002430)	28,1 mm	126 L 32
	A011238	25 L 32 (A002430)	6,1 mm	127 L 32
AMT75DF02	A011236	25 L 32 (A002430)	28,1 mm	126 L 32
	A011237	25 L 32 (A002430)	6,1 mm	127 L 32

KOD / CODE	AĞIRLIK (kg/m) / WEIGHT	Jxx cm <sup>4</sup>	Jyy cm <sup>4</sup>	L m	
AMT75V02	1,673	38,361	14,133	6	
AMT75V03	1,898	52,561	25,988	6	
AMT75V04	2,022	47,465	16,841	6	

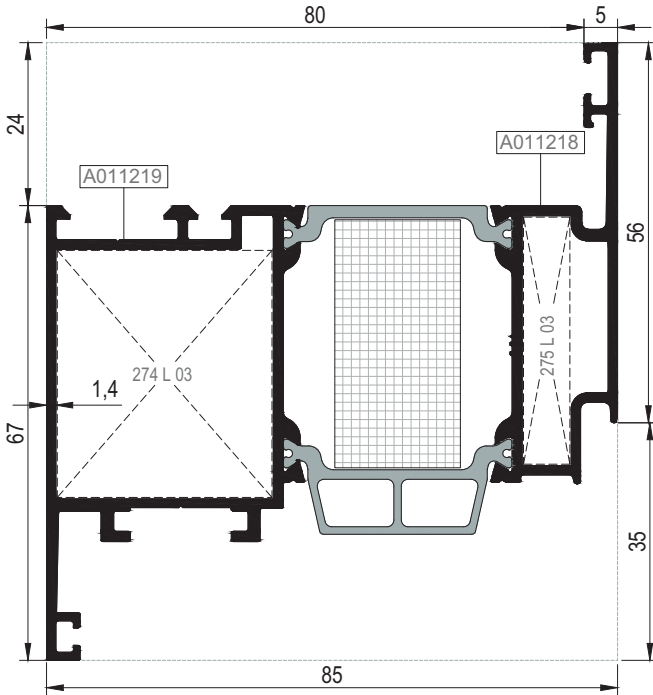
AMT75V02





AMT75V04



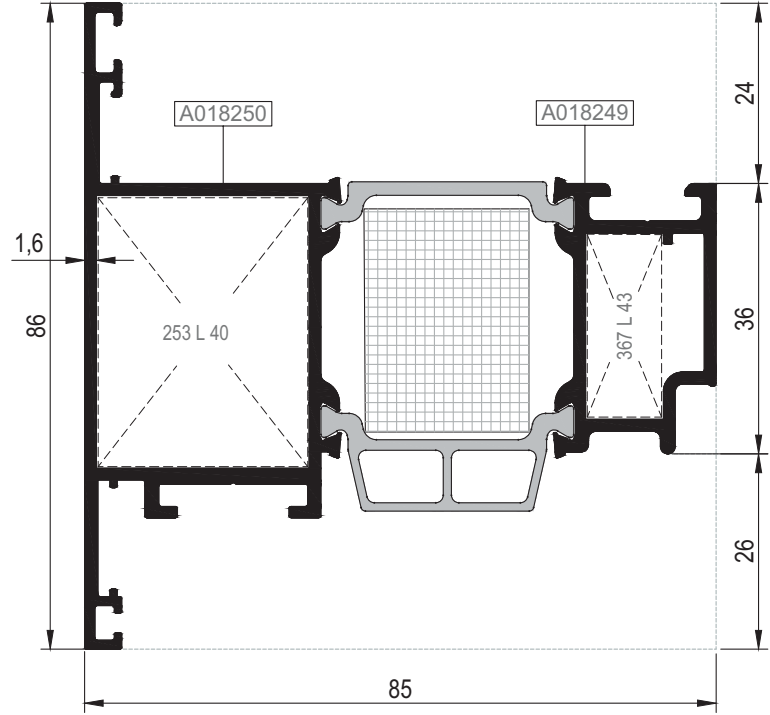
AMT75V03



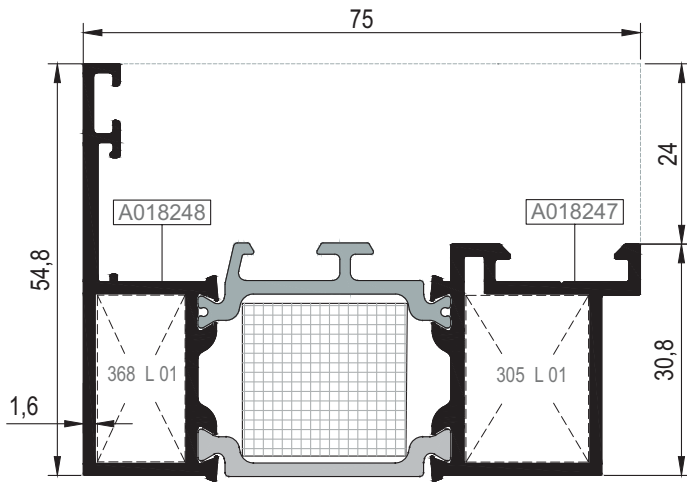
Nr	 L m	KESİM ÖLÇÜSÜ CUTTING SIZE	 AKS. KODU ACS. CODE
AMT75V02	A011221 25 L 36 (A002397)	31,9 mm	274 L 36
	A011220 25 L 36 (A002397)	6,8 mm	275 L 36
AMT75V04	A011301 25 L 36 (A002397)	30,9 mm	110 L 36
	A011300 25 L 36 (A002397)	5,8 mm	167 L 36
AMT75V03	A011219 25 L 03 (A002021)	31,9 mm	274 L 03
	A011218 25 L 03 (A002021)	6,8 mm	275 L 03



KOD / CODE	AĞIRLIK (kg/m) / WEIGHT	Jxx cm <sup>4</sup>	Jyy cm <sup>4</sup>	L m	
AMT75V08	1,882	42,45	21,85	6	
AMT75A07	1,397	23,13	8,00	6	

AMT75V08



AMT75A07

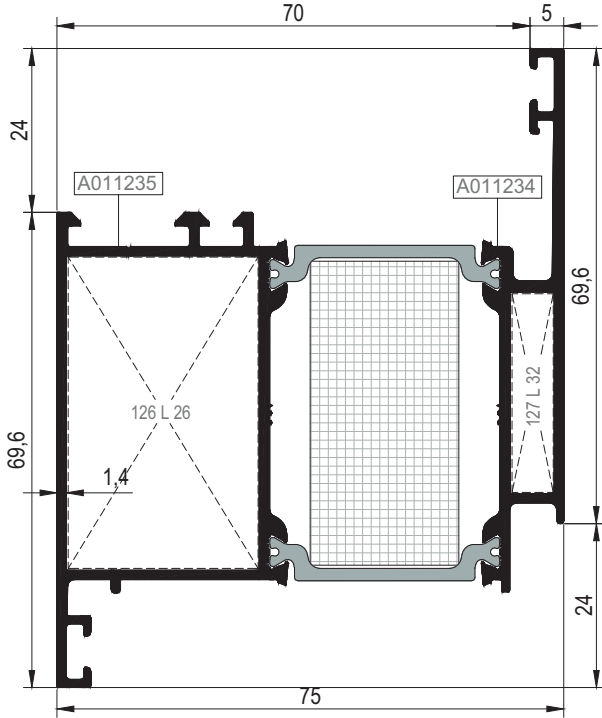


Nr	 L m	KESİM ÖLÇÜSÜ CUTTING SIZE	 AKS. KODU ACS. CODE	
AMT75V08	A018250	25 L 40 (A010702)	28,2 mm	253 L 40
	A018249	25 L 43 (A010785)	10,0 mm	367 L 43
AMT75A07	A018248	25 L 01 (A002019)	11,8 mm	368 L 01
	A018247	25 L 01 (A002019)	16,5 mm	305 L 01

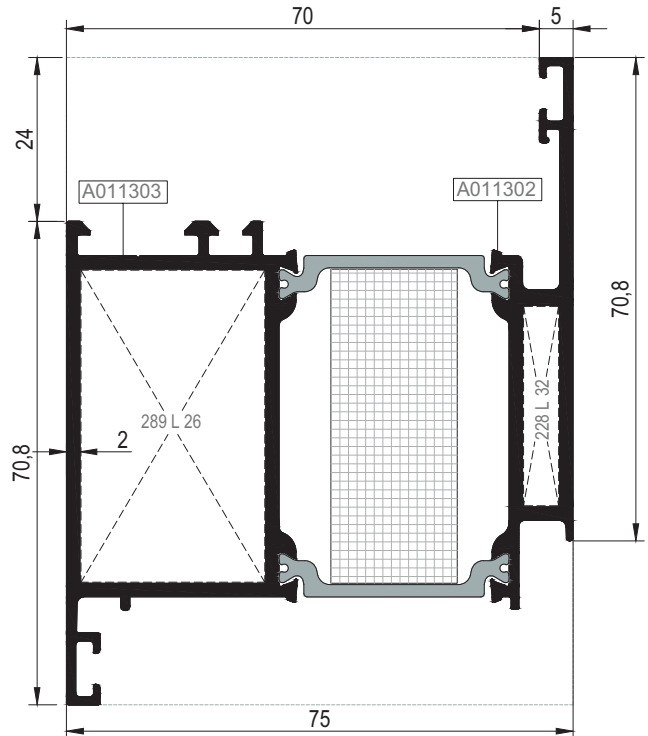
KOD / CODE	AĞIRLIK (kg/m) / WEIGHT	Jxx cm4	Jyy cm4	L m	
AMT75DV01	1,753	35,000	28,212	6	
AMT75DV03	2,147	43,669	33,536	6	


İÇE AÇILIM HEMYÜZ KAPI KANAT PROFİLLERİ  
INWARD OPENING FLUSH DOOR VENT PROFILES

AMT75DV01



AMT75DV03

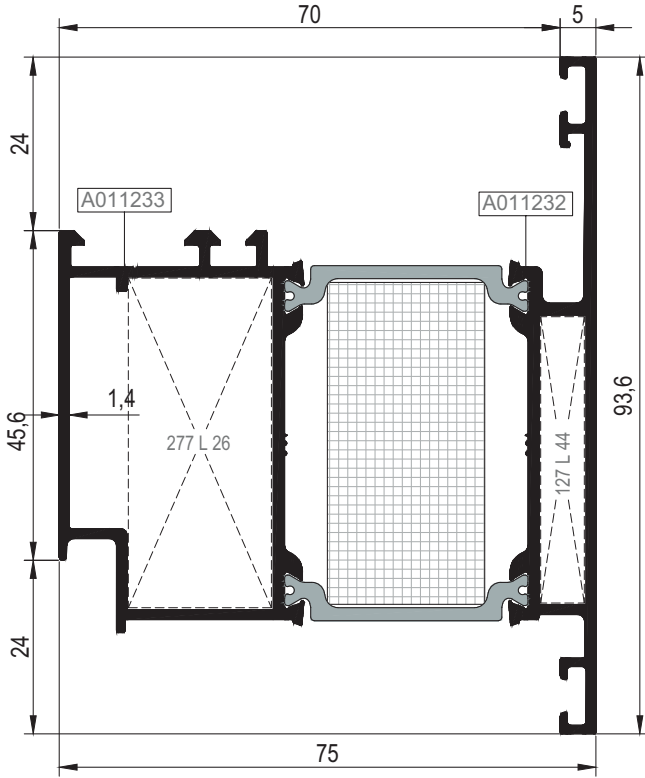


Nr		L m	KESİM ÖLÇÜSÜ CUTTING SIZE	AKS. KODU ACS. CODE
AMT75DV01	A011235	25 L 26 (A010540)	28,1 mm	126 L 26
	A011234	25 L 32 (A002430)	6,1 mm	127 L 32
AMT75DV03	A011303	25 L 26 (A010540)	27,1 mm	289 L 26
	A011302	25 L 32 (A002430)	5,1 mm	228 L 32

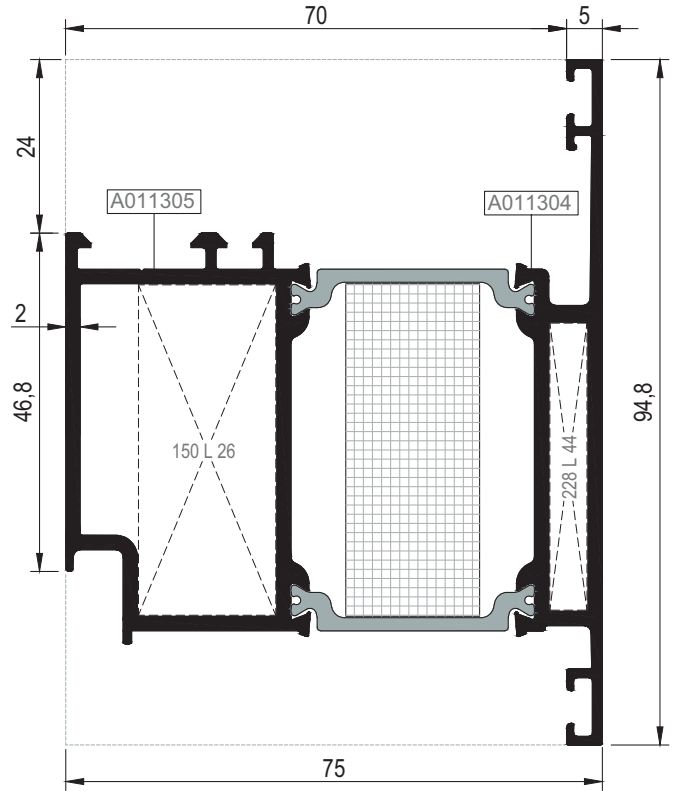
KOD / CODE	AĞIRLIK (kg/m) / WEIGHT	Jxx cm4	Jyy cm4	L m	
AMT75DV02	1,802	34,368	28,887	6	
AMT75DV04	2,184	42,725	33,602	6	


DIŞA AÇILIM HEMYÜZ KAPI KANAT PROFİLLERİ  
OUTWARD OPENING FLUSH DOOR VENT PROFILES

AMT75DV02



AMT75DV04



Nr	 L m	KESİM ÖLÇÜSÜ CUTTING SIZE	AKS. KODU ACS. CODE
AMT75DV02	A011233 25 L 26 (A010540)	20,0 mm	277 L 26
	A011232 25 L 44 (A010786)	6,1 mm	127 L 44
AMT75DV04	A011305 25 L 26 (A010540)	19,1 mm	150 L 26
	A011304 25 L 44 (A010786)	5,1 mm	228 L 44

01

02

03

04

05

06

07

08

09

10

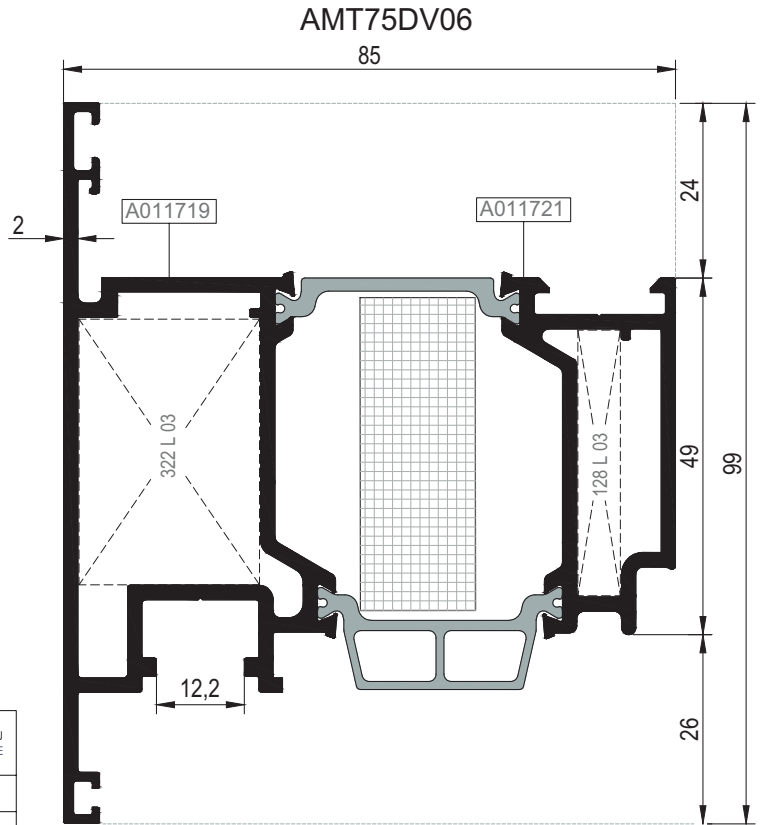
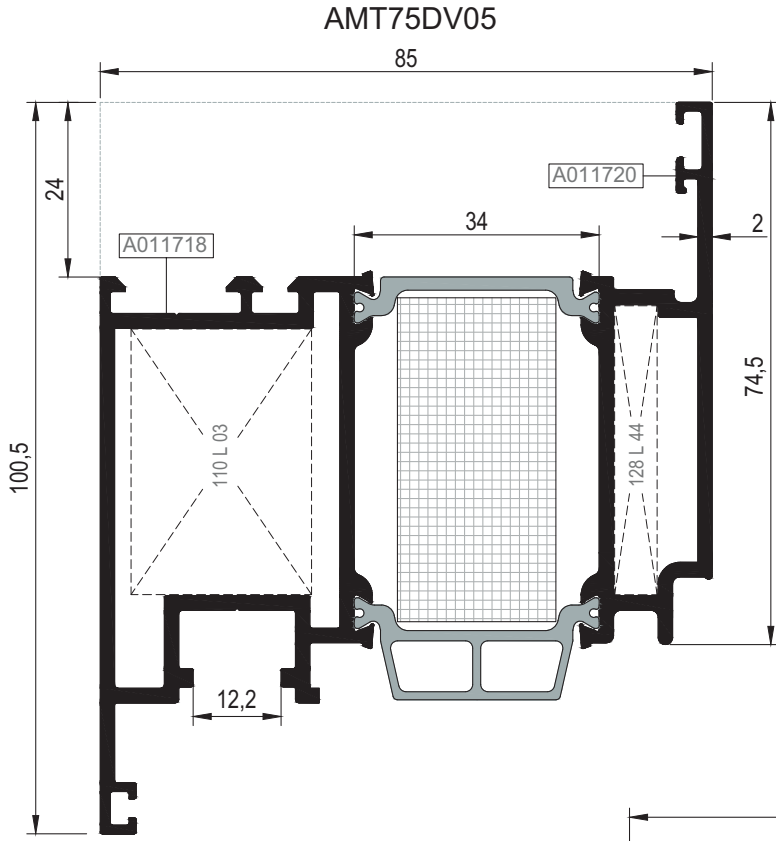
11


12

KOD / CODE	AĞIRLIK (kg/m) / WEIGHT	Jxx cm <sup>4</sup>	Jyy cm <sup>4</sup>	L m
AMT75DV05	2,556	62,125	42,495	6
AMT75DV06	2,509	59,275	40,131	6



- 01
- 02
- 03
- 04
- 05
- 06
- 07
- 08
- 09
- 10
- 11
- 12



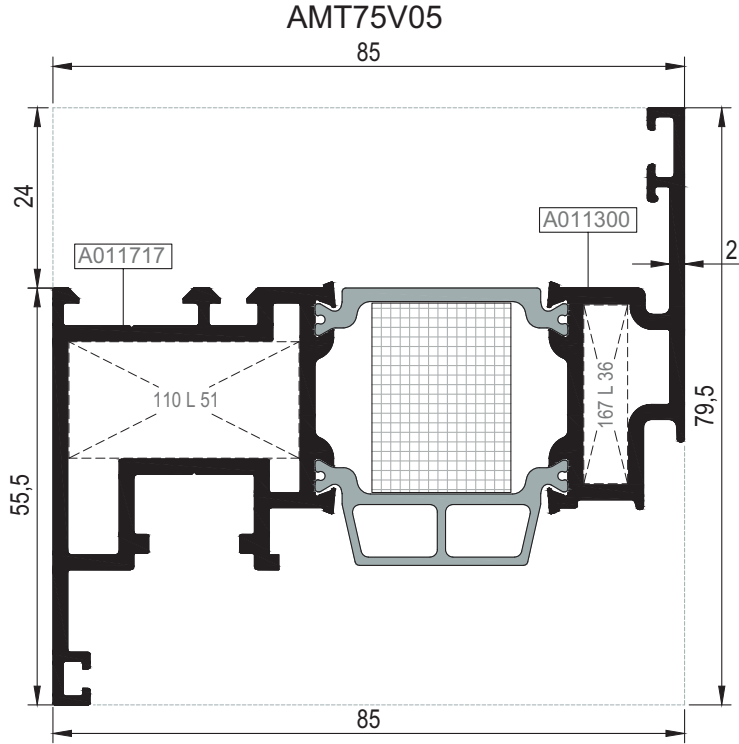
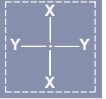
Nr	 L m	KESİM ÖLÇÜSÜ CUTTING SIZE	AKS. KODU ACS. CODE
AMT75DV05	A011718 25 L 03 (A002021)	30,9 mm	110 L 03
	A011720 25 L 44 (A010786)	5,9 mm	128 L 44
AMT75DV06	A011719 25 L 03 (A002021)	24,9 mm	322 L 03
	A011721 25 L 03 (A002021)	5,9 mm	128 L 03



KANAT PROFİLLERİ (PVC AKSESUARINA UYGUN - 9 AKS)  
VENT PROFILES (FOR PVC ACCESSORY - 9 AXLE)

RWT75

KOD / CODE	AĞIRLIK (kg/m) / WEIGHT	Jxx cm <sup>4</sup>	Jyy cm <sup>4</sup>	L m	
AMT75V05	2,094	48,632	16,542	6	



01

02

03

04

05

06

07



08

09

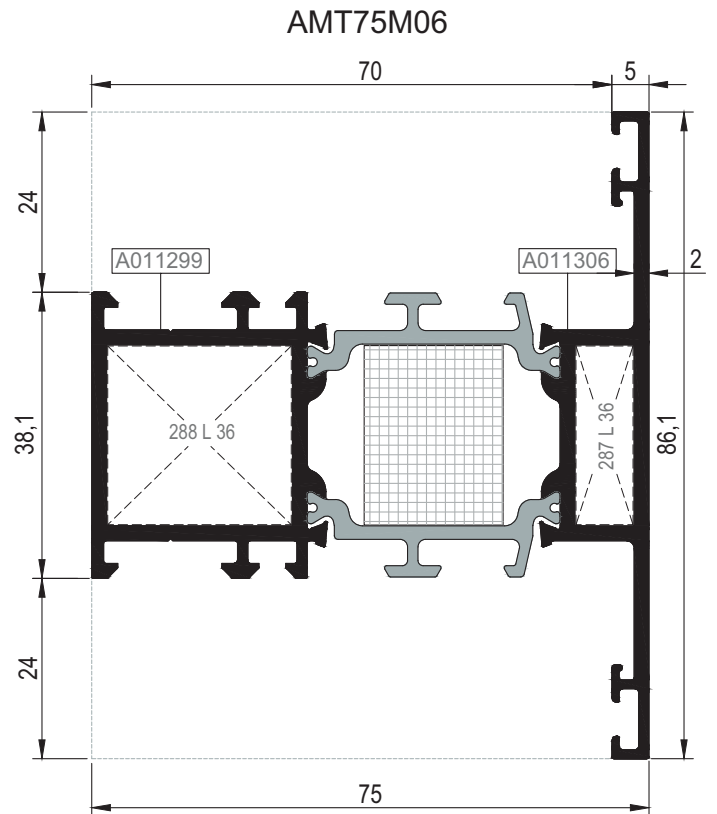
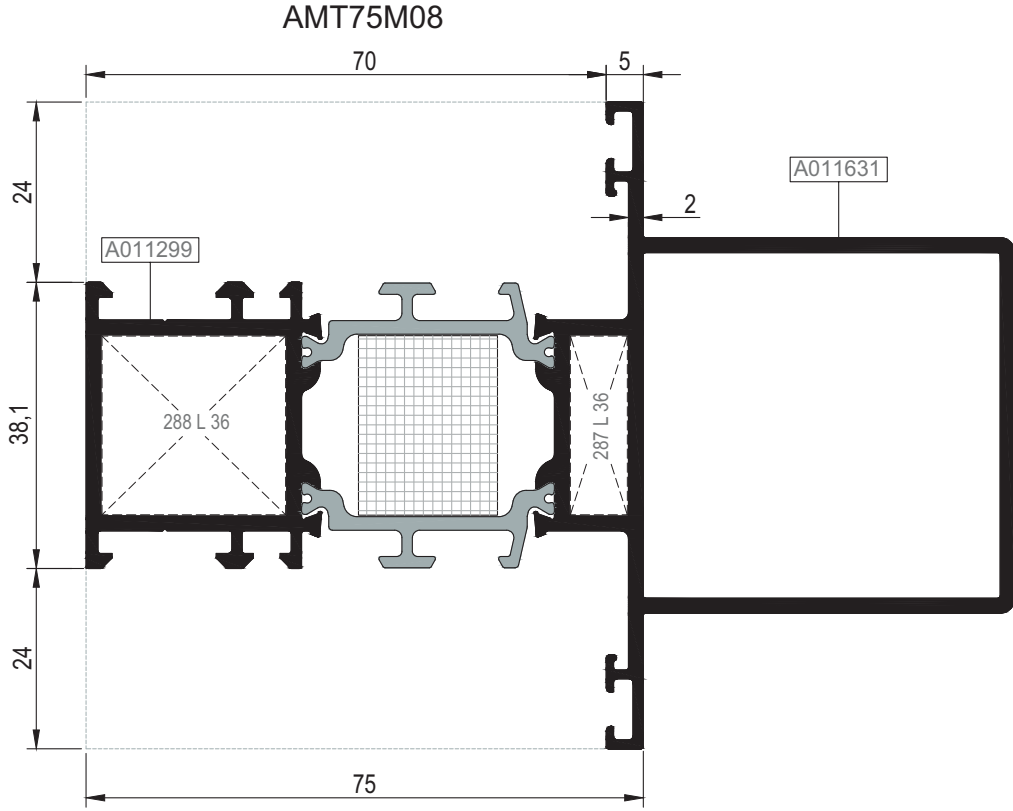
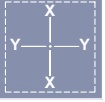
10

11

12

Nr			KESİM ÖLÇÜSÜ CUTTING SIZE	 AKS. KODU ACS. CODE
AMT75V05	A011717	25 L 51 (A010887)	30,9 mm	110 L 51
	A011300	25 L 36 (A002397)	5,9 mm	167 L 36

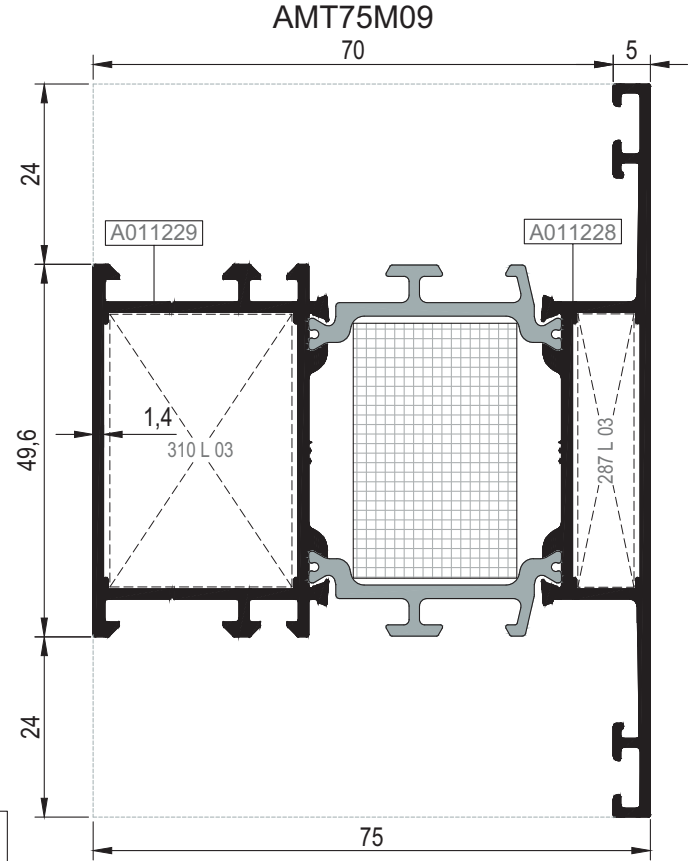
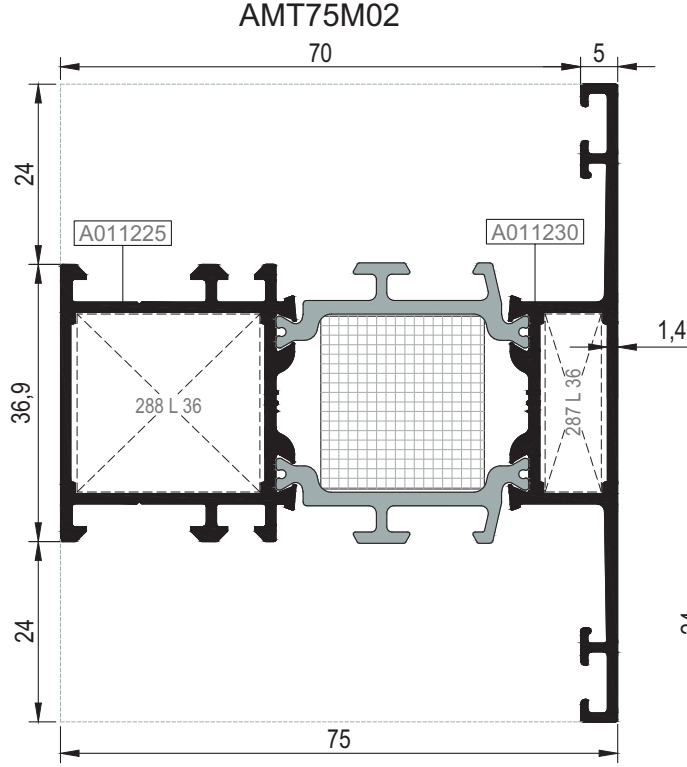
KOD / CODE	AĞIRLIK (kg/m) / WEIGHT	Jxx cm <sup>4</sup>	Jyy cm <sup>4</sup>	L m
AMT75M06	1,942	36,730	18,555	6
AMT75M08	2,729	103,152	31,607	6



KASA-ORTAKAYIT-AMT75DV03&04&05&06 İÇİNDE KULLANILIRSA  
USED IN FRAME- MULLION - AMT756DV03&04&05&06

Nr		L m	KESİM ÖLÇÜSÜ CUTTING SIZE	AKS. KODU ACS. CODE
AMT75M06	A011299	25 J 27 (A011352)	23,7 mm	285 J 27
	A011306	25 J 43 (A011874)	23,7 mm	285 J 43
AMT75M08	A011299	25 J 27 (A011352)	23,7 mm	285 J 27
	A011631	25 J 43 (A011874)	23,7 mm	285 J 43
Nr		L m	KESİM ÖLÇÜSÜ CUTTING SIZE	AKS. KODU ACS. CODE
AMT75M06	A011299	25 L 36 (A002397)	24,6 mm	288 L 36
	A011306	25 L 36 (A002397)	7,6 mm	287 L 36
AMT75M08	A011299	25 L 36 (A002397)	24,6 mm	288 L 36
	A011631	25 L 36 (A002397)	7,6 mm	287 L 36

KOD / CODE	AĞIRLIK (kg/m) / WEIGHT	Jxx cm4	Jyy cm4	L m	
AMT75M02	1,632	29,707	16,107	6	
AMT75M09	1,853	34,337	27,518	6	



KASA-ORTAKAYIT-AMT75DV03&04&05&06 İÇİNDE KULLANILIRSA  
USED IN FRAME- MULLION - AMT756DV03&04&05&06

Nr	L m	KESİM ÖLÇÜSÜ CUTTING SIZE	AKS. KODU ACS. CODE	
AMT75M02	A011225	25 J 27 (A011352)	23,7 mm	285 J 27
	A011230	25 J 43 (A011874)	23,7 mm	285 J 43
AMT75M09	A011229	25 J 27 (A011352)	36,4 mm	163 J 27
	A011228	25 J 43 (A011874)	36,4 mm	163 J 43
Nr	L m	KESİM ÖLÇÜSÜ CUTTING SIZE	AKS. KODU ACS. CODE	
AMT75M02	A011225	25 L 36 (A002397)	24,6 mm	288 L 36
	A011230	25 L 36 (A002397)	7,6 mm	287 L 36
AMT75M09	A011229	25 L 03 (A002021)	24,5 mm	310 L 03
	A011228	25 L 03 (A002021)	7,6 mm	287 L 03

01

02

03

04

05

06

07

08

09

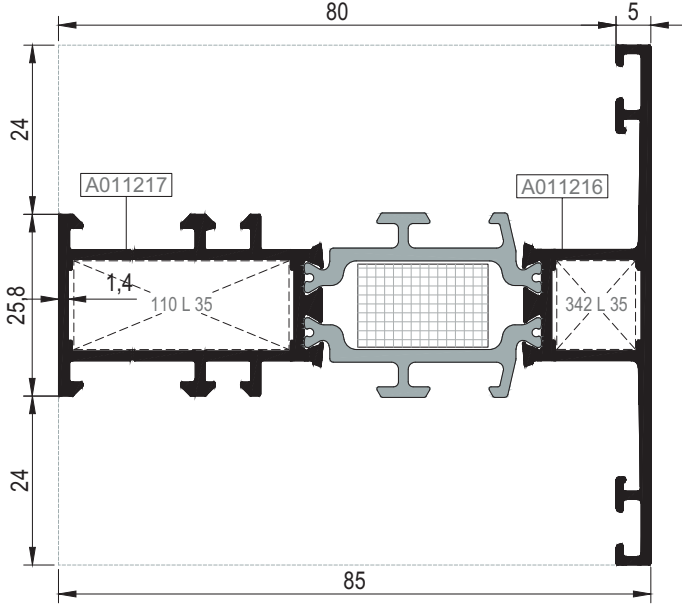
10

11

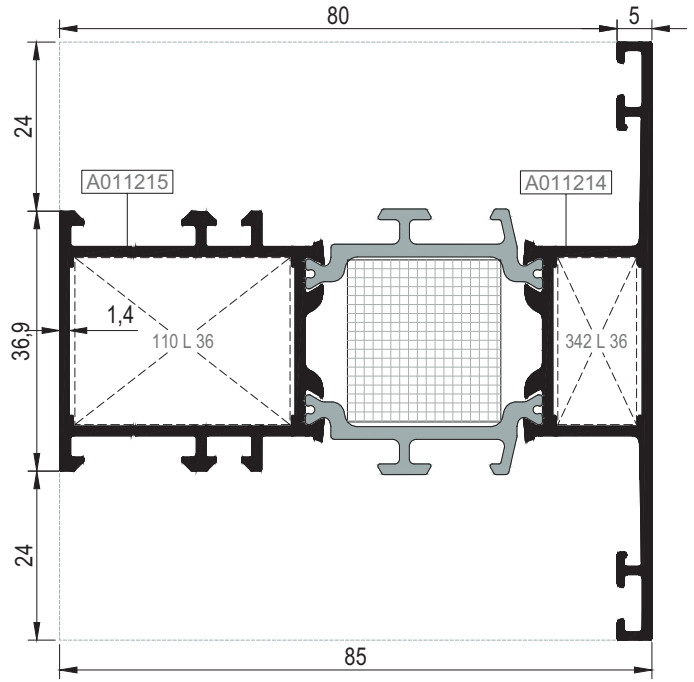
12

KOD / CODE	AĞIRLIK (kg/m) / WEIGHT	Jxx cm <sup>4</sup>	Jyy cm <sup>4</sup>	L m	
AMT75M04	1,508	34,408	9,407	6	
AMT75M05	1,708	39,568	16,466	6	

AMT75M04



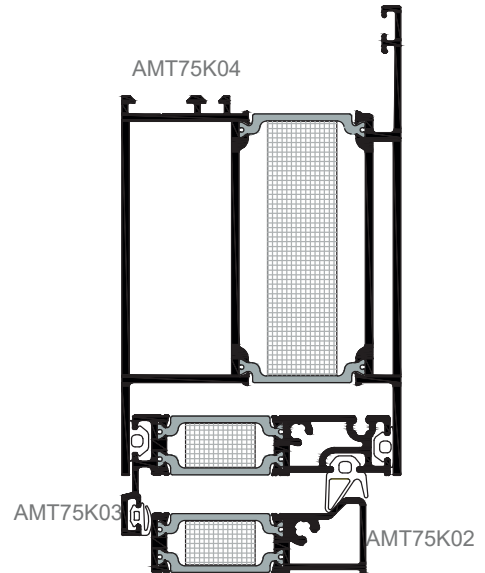
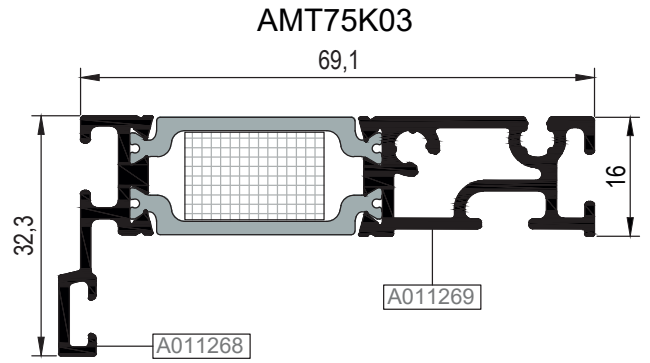
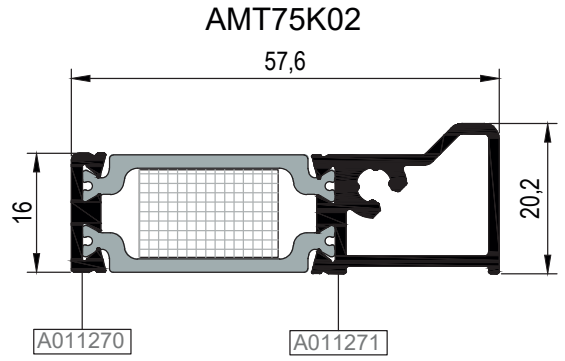
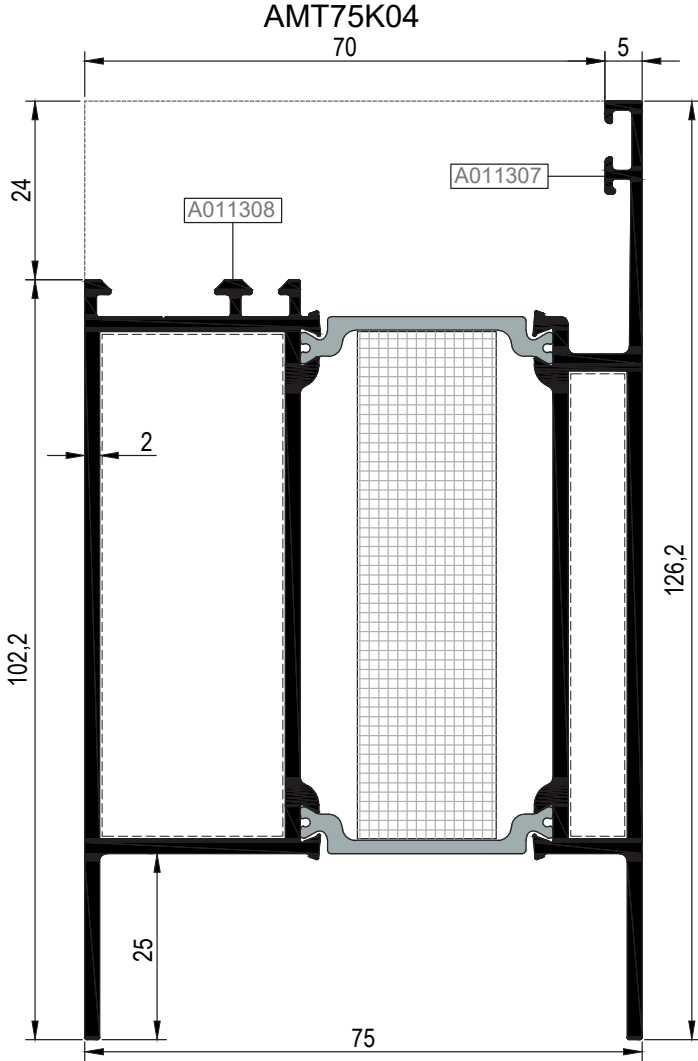
AMT75M05



KASA-ORTAKAYIT-AMT75DV03&04&05&06 İÇİNDE KULLANILIRSA  
USED IN FRAME- MULLION - AMT756DV03&04&05&06

Nr		L m	KESİM ÖLÇÜSÜ CUTTING SIZE	AKS. KODU ACS. CODE
AMT75M04	A011217	25 J 41 (A011872)	12,6 mm	286 J 41
	A011216	25 J 42 (A011873)	12,6 mm	286 J 42
AMT75M05	A011215	25 J 41 (A011872)	23,7 mm	285 J 41
	A011214	25 J 42 (A011873)	23,7 mm	285 J 42
Nr		L m	KESİM ÖLÇÜSÜ CUTTING SIZE	AKS. KODU ACS. CODE
AMT75M04	A011217	25 L 35 (A010076)	30,9 mm	110 L 35
	A011216	25 L 35 (A010076)	11,3 mm	342 L 35
AMT75M05	A011215	25 L 36 (A002397)	30,9 mm	110 L 36
	A011214	25 L 36 (A002397)	11,3 mm	342 L 36

KOD / CODE	AĞIRLIK (kg/m) / WEIGHT	Jxx cm <sup>4</sup>	Jyy cm <sup>4</sup>	L m	
AMT75K02	0,771	5,609	0,678	6	
AMT75K03	1,013	13,798	1,733	6	
AMT75K04	2,851	61,900	91,506	6	

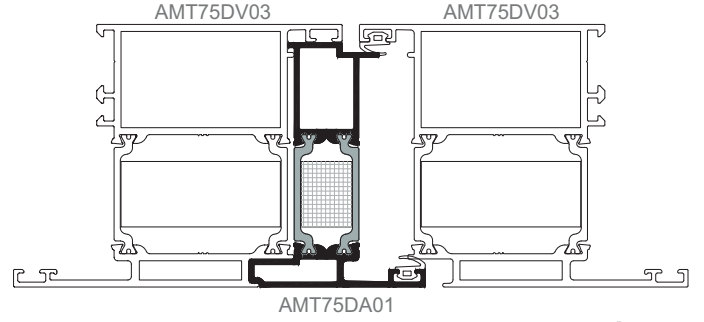
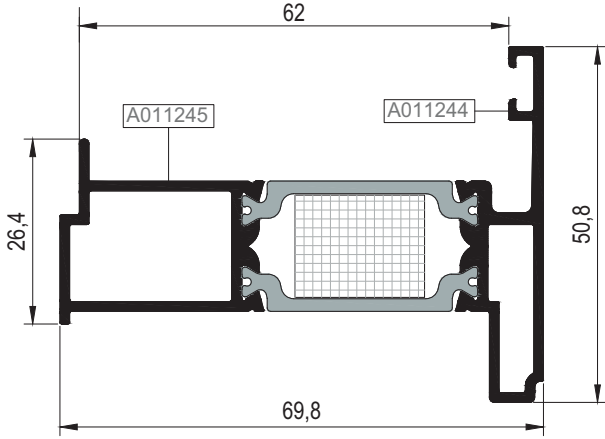


Ölçek/Scale: 2

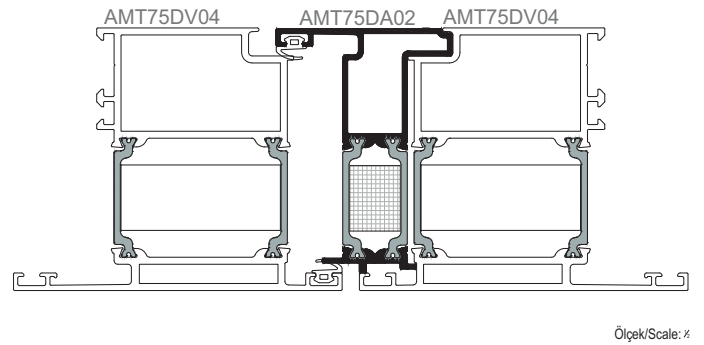
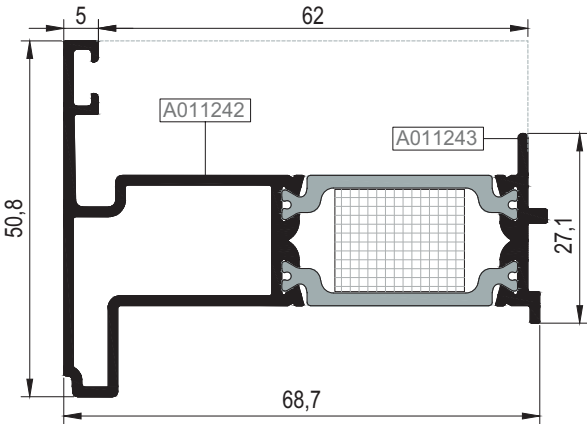
Nr		L m	KESİM ÖLÇÜSÜ CUTTING SIZE	AKS. KODU ACS. CODE
AMT75K04	A011308	25 J 27 (A011352)	67,6 mm	284 J 27
	A011307	25 J 43 (A011874)	62,5 mm	283 J 43

KOD / CODE	AĞIRLIK (kg/m) / WEIGHT	Jxx cm <sup>4</sup>	Jyy cm <sup>4</sup>	L m	
AMT75DA01	1,136	17,145	4,120	6	
AMT75DA02	1,083	14,705	4,082	6	
AMT75A04	1,397	24,337	8,346	6	

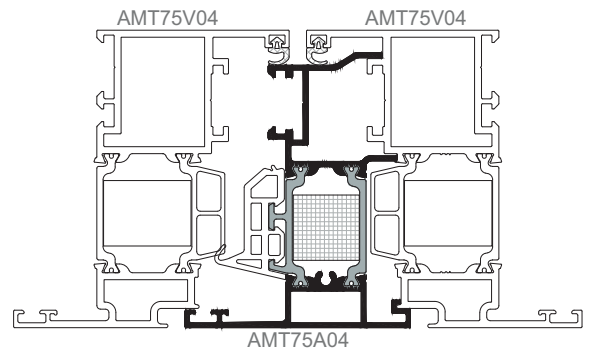
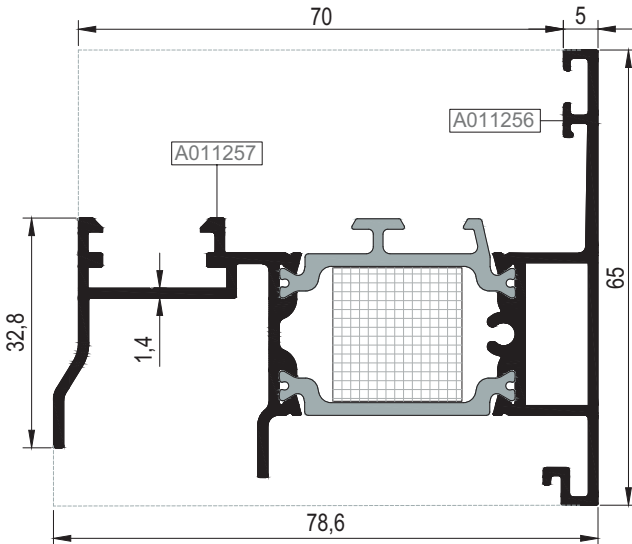
AMT75DA01 (AMT75DV03 İLE)



AMT75DA02 (AMT75DV04 İLE)

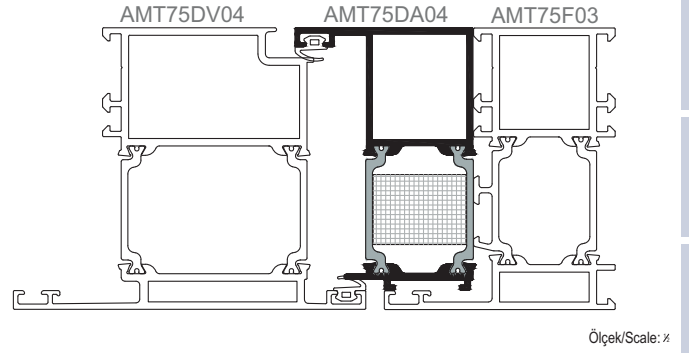
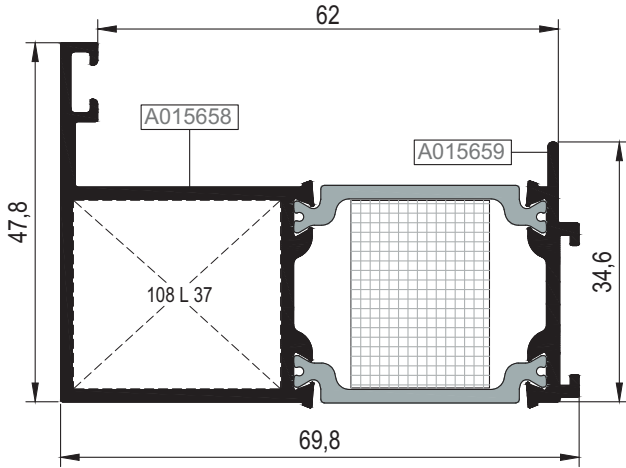


AMT75A04

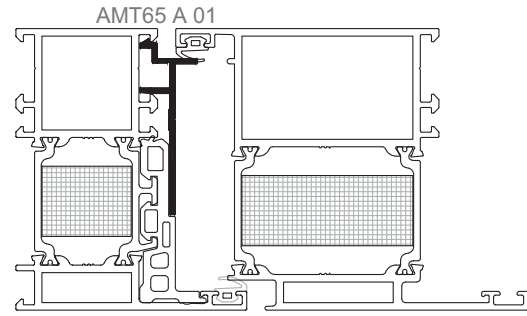
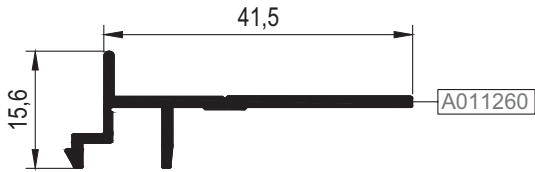


KOD / CODE	AĞIRLIK (kg/m) / WEIGHT	Jxx cm <sup>4</sup>	Jyy cm <sup>4</sup>	L m	
AMT75DA04	1,179	----	----	6	
AMT65 A 01	0,273	----	----	6	
25 I 06	0,104	----	----	6	
25 I 07	0,143	----	----	6	

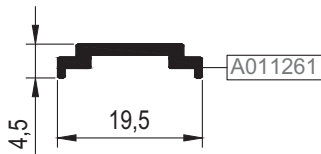
AMT75DA04 (AMT75DV04 İLE)



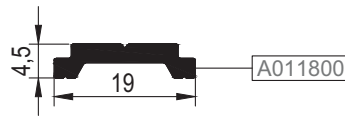
AMT65 A 01



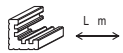

25 I 06



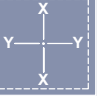
25 I 07\*



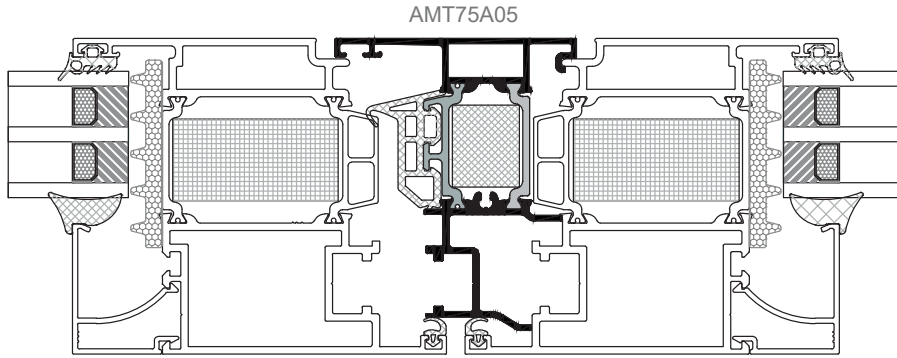
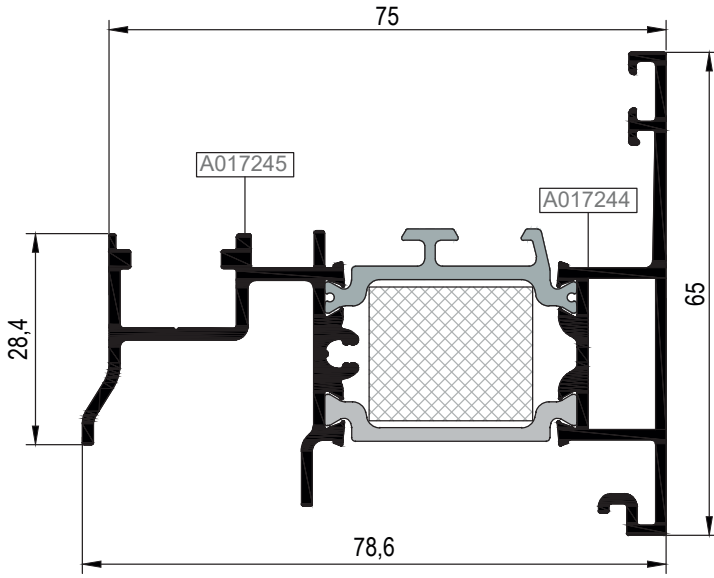
\*\*\*Giesse kol ve kilitleme aksesuarları sadece 25 I 07 tij profili ile kullanılmalıdır.  
Giesse handle and locking accessories should be used with only 25 I 07 rod profile

Nr	 L m	KESİM ÖLÇÜSÜ CUTTING SIZE	 AKS. KODU ACS. CODE
AMT75DA04	A015658	25 L 37 (A002398)	108 L 37

KOD / CODE	AĞIRLIK (kg/m) / WEIGHT	Jxx cm <sup>4</sup>	Jyy cm <sup>4</sup>	L m
AMT75A05	1,403	-----	-----	6



AMT75A05

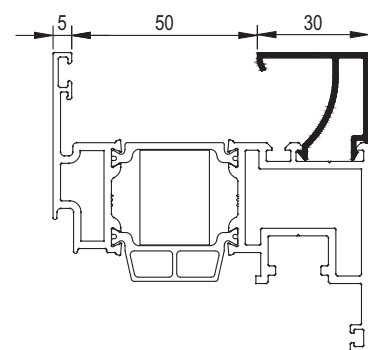
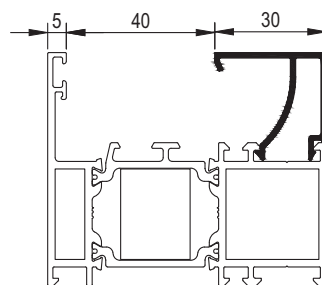
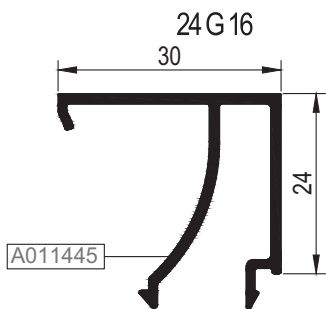
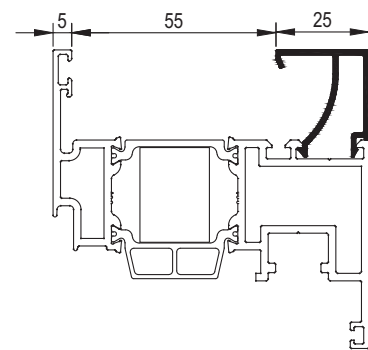
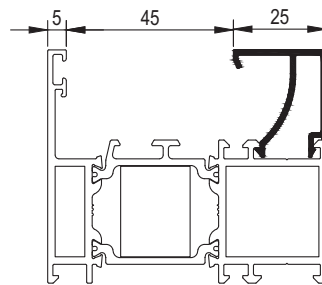
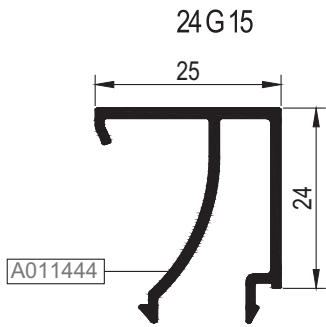
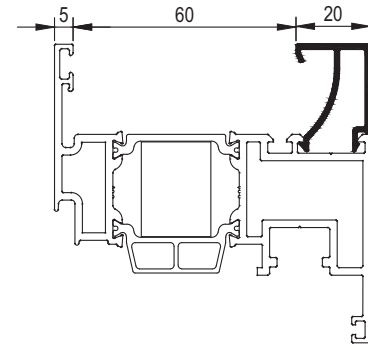
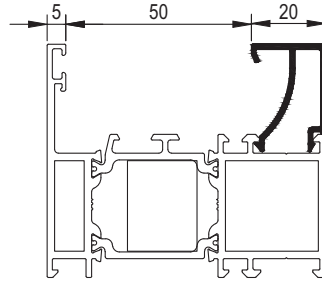
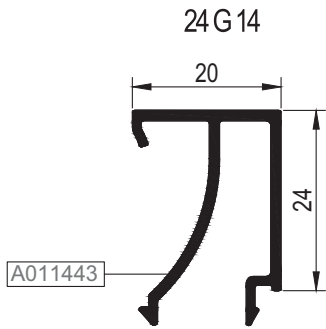
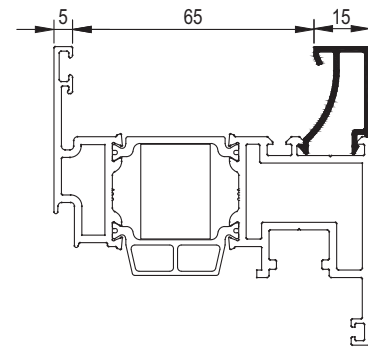
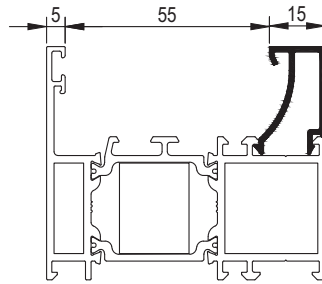
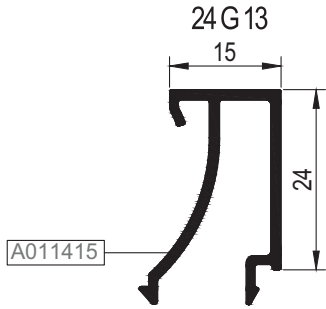


Ölçek/Scale: 4

- 01
- 02
- 03
- 04
- 05
- 06
- 07
- 08
- 09
- 10
- 11
- 12



KOD / CODE	AĞIRLIK (kg/m) / WEIGHT	L m	KOD / CODE	AĞIRLIK (kg/m) / WEIGHT	L m
24 G 13	0,296	6			
24 G 14	0,315	6			
24 G 15	0,334	6			
24 G 16	0,353	6			



- 01
- 02
- 03
- 04
- 05
- 06
- 07
- 08
- 09
- 10
- 11
- 12

KOD / CODE	AĞIRLIK (kg/m) / WEIGHT	L m	KOD / CODE	AĞIRLIK (kg/m) / WEIGHT	L m
24 G 17	0,372	6			
24 G 18	0,391	6			



01

02

03

04

05

06

07

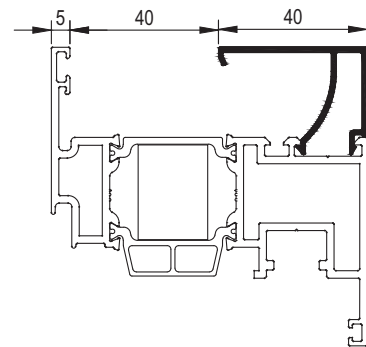
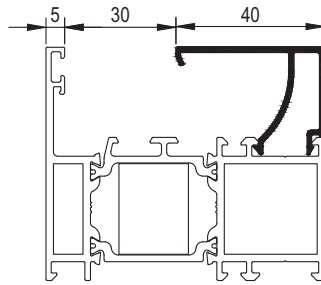
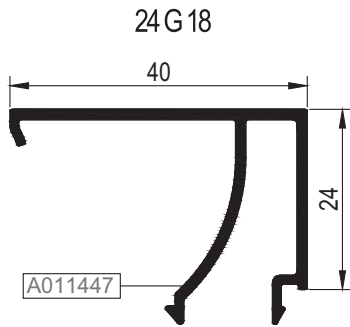
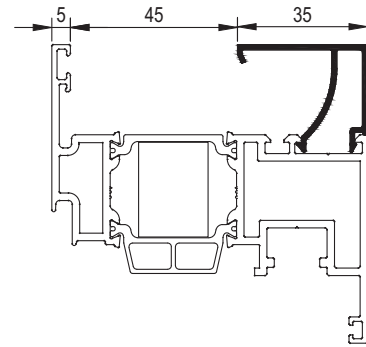
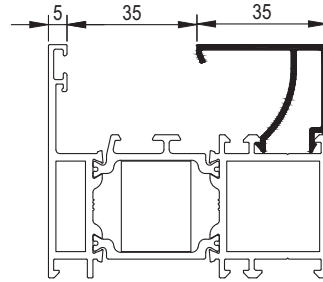
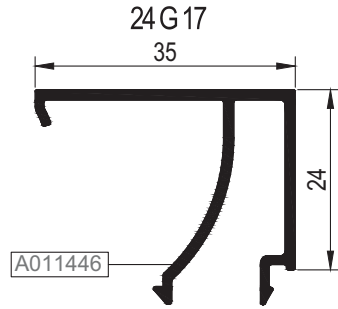
08

09

10

11

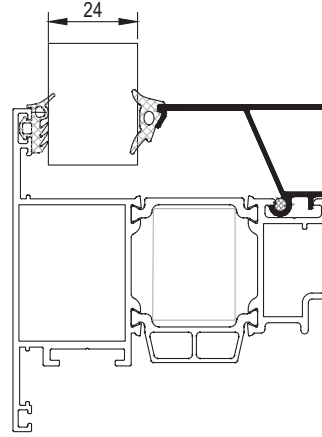
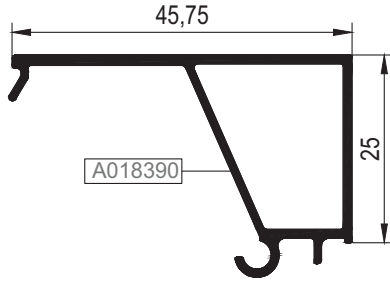
12



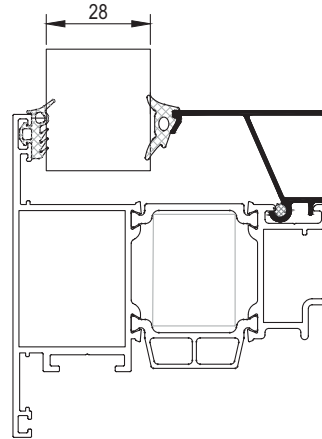
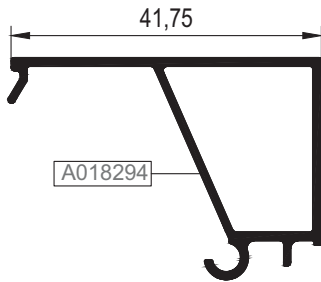
KOD / CODE	AĞIRLIK (kg/m) / WEIGHT	L m	KOD / CODE	AĞIRLIK (kg/m) / WEIGHT	L m
REPF 5004	0,387	6			
REPF 5005	0,398	6			
REPF 5006	0,376	6			
REPF 5007	0,368	6			



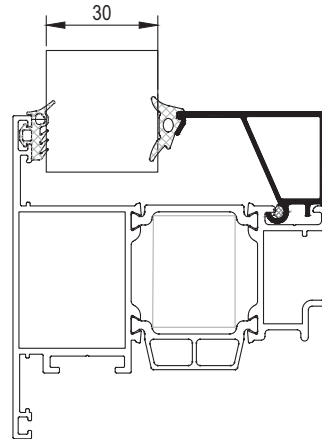
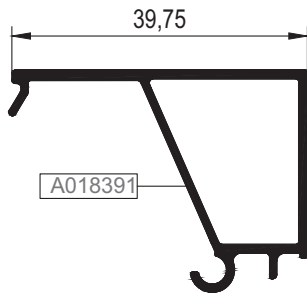
REPF 5005



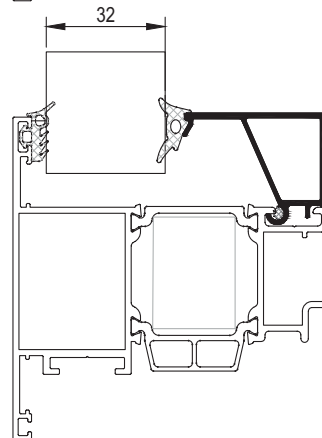
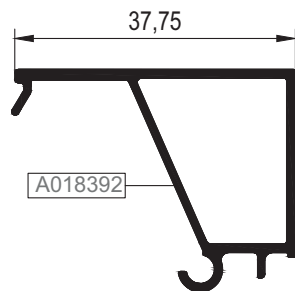
REPF 5004



REPF 5006



REPF 5007



01

02

03

04

05

06

07

08

09

10

11

12

KOD / CODE	AĞIRLIK (kg/m) / WEIGHT	L m	KOD / CODE	AĞIRLIK (kg/m) / WEIGHT	L m
REPF 5001	0,337	6			
REPF 5002	0,339	6			
REPF 5003	0,305	6			



01

02

03

04

05

06

07

08

09

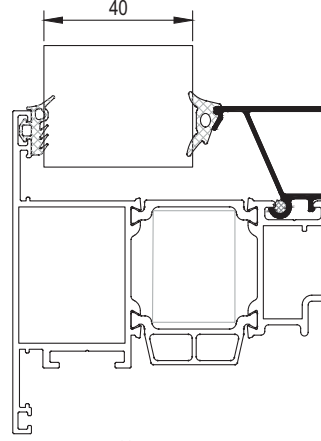
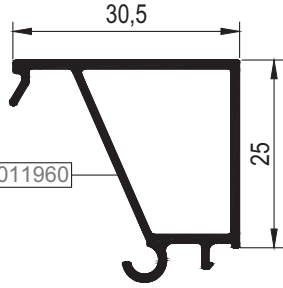
10

11

12

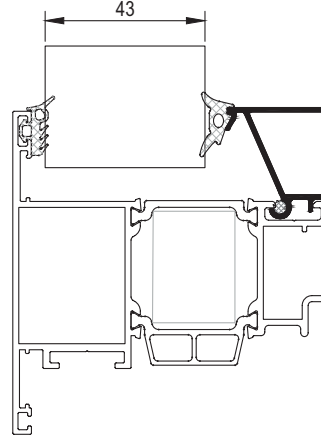
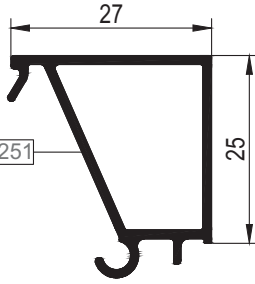
REPF 5001

A011960



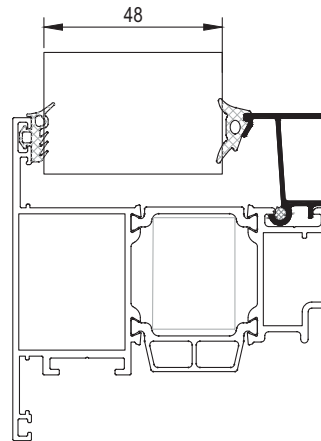
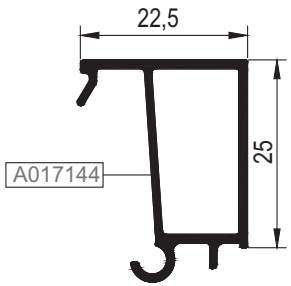
REPF 5002

A018251



REPF 5003

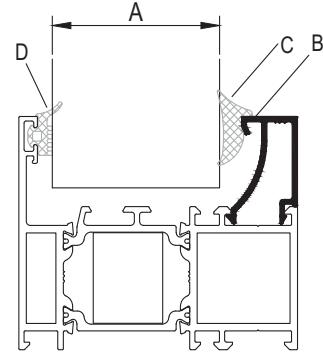
A017144



UYGULANAN PROFİLLER: AMT75F02-AMT75F03-AMT75DV01-AMT75DV02-AMT75DV03-AMT75DV04-AMT75M06-AMT75M08-AMT75M09-AMT75K04  
USE WITH: AMT75F02-AMT75F03-AMT75DV01-AMT75DV02-AMT75DV03-AMT75DV04-AMT75M06-AMT75M08-AMT75M09-AMT75K04

B, CAM ÇİTASI GLAZING BEAD	C, İÇ CAM FİTİLİ GLAZING GASKET	A, CAM KALINLIĞI GLASS THICKNESS	D, DIŞ CAM FİTİLİ GLAZING GASKET
24 G 13	01.17.20	48 mm	01.11.15
24 G 13	01.17.05	47 mm	01.11.15
24 G 13	01.17.14	46 mm	01.11.15
24 G 13	01.17.15	45 mm	01.11.15
24 G 13	01.17.21	44 mm	01.11.15
24 G 14	01.17.20	43 mm	01.11.15
24 G 14	01.17.05	42 mm	01.11.15
24 G 14	01.17.14	41 mm	01.11.15
24 G 14	01.17.15	40 mm	01.11.15
24 G 14	01.17.21	39 mm	01.11.15
24 G 15	01.17.20	38 mm	01.11.15
24 G 15	01.17.05	37 mm	01.11.15
24 G 15	01.17.14	36 mm	01.11.15
24 G 15	01.17.15	35 mm	01.11.15
24 G 15	01.17.21	34 mm	01.11.15
24 G 16	01.17.20	33 mm	01.11.15
24 G 16	01.17.05	32 mm	01.11.15
24 G 16	01.17.14	31 mm	01.11.15
24 G 16	01.17.15	30 mm	01.11.15
24 G 16	01.17.21	29 mm	01.11.15

B, CAM ÇİTASI GLAZING BEAD	C, İÇ CAM FİTİLİ GLAZING GASKET	A, CAM KALINLIĞI GLASS THICKNESS	D, DIŞ CAM FİTİLİ GLAZING GASKET
24 G 17	01.17.20	28 mm	01.11.15
24 G 17	01.17.05	27 mm	01.11.15
24 G 17	01.17.14	26 mm	01.11.15
24 G 17	01.17.15	25 mm	01.11.15
24 G 17	01.17.21	24 mm	01.11.15
24 G 18	01.17.20	23 mm	01.11.15



CAM MONTAJINDA SADECE BU SİSTEM İÇİN TASARLANAN VE ÜRETİLEN FİTİLLER KULLANILMALIDIR. FARKLI MALZEME KULLANIMLARI İŞLEVSEL VE TASARIMSAL SORUNLARA SEBEP OLABİLİR. THE GASKETS USED DURING INSTALLING THE GLASS SHOULD BE ONLY THE ONES CREATED FOR THIS SYSTEM. THE USE OF OTHER MATERIALS MAY CAUSE FUNCTIONAL AND DESIGN PROBLEMS.

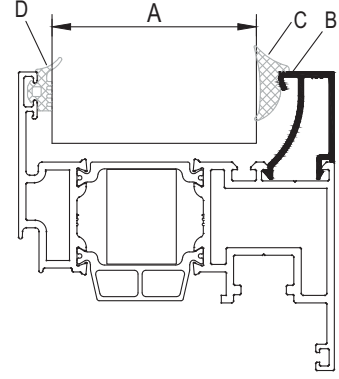
TABLODA VERİLEN CAM KALINLIKLARI TEORİK OLUP SİSTEMİN ISI PERFORMANS KRİTERLERİNDEN BAĞIMSIZDIR. THE GLASS THICKNESSES IN THE TABLE ARE THEORETICAL AND INDEPENDENT FROM THERMAL PERFORMANCE CRITERIA OF THE SYSTEM.

YUKARIDAKİ TABLODA VERİLEN CAM-FİTİL VE PROFİL İLİŞKİSİ TEORİK OLUP PROFİL VE CAM TOLERANSLARINDAN KAYNAKLI ÖLÇÜ FARKLILIKLARI OLUŞABİLİR. THE RELATIONSHIP BETWEEN GLASS-GASKET AND PROFILE PROVIDED IN THE TABLE IS THEORETICAL. IT MAY OCCUR SIZE DIFFERENCES FROM THE TOLERANCES OF PROFILE AND GLASS.

UYGULANAN PROFİLLER: AMT75V02-AMT75V04-AMT75V03-AMT75DV05-AMT75DV06-AMT75V05  
USE WITH: AMT75V02-AMT75V04-AMT75V03-AMT75DV05-AMT75DV06-AMT75V05

B, CAM ÇİTASI GLAZING BEAD	C, İÇ CAM FİTİLİ GLAZING GASKET	A, CAM KALINLIĞI GLASS THICKNESS	D, DIŞ CAM FİTİLİ GLAZING GASKET
24 G 13	01.17.20	58 mm	01.11.15
24 G 13	01.17.05	57 mm	01.11.15
24 G 13	01.17.14	56 mm	01.11.15
24 G 13	01.17.15	55 mm	01.11.15
24 G 13	01.17.21	54 mm	01.11.15
24 G 14	01.17.20	53 mm	01.11.15
24 G 14	01.17.05	52 mm	01.11.15
24 G 14	01.17.14	51 mm	01.11.15
24 G 14	01.17.15	50 mm	01.11.15
24 G 14	01.17.21	49 mm	01.11.15
24 G 15	01.17.20	48 mm	01.11.15
24 G 15	01.17.05	47 mm	01.11.15
24 G 15	01.17.14	46 mm	01.11.15
24 G 15	01.17.15	45 mm	01.11.15
24 G 15	01.17.21	44 mm	01.11.15
24 G 16	01.17.20	43 mm	01.11.15
24 G 16	01.17.05	42 mm	01.11.15
24 G 16	01.17.14	41 mm	01.11.15
24 G 16	01.17.15	40 mm	01.11.15
24 G 16	01.17.21	39 mm	01.11.15

B, CAM ÇİTASI GLAZING BEAD	C, İÇ CAM FİTİLİ GLAZING GASKET	A, CAM KALINLIĞI GLASS THICKNESS	D, DIŞ CAM FİTİLİ GLAZING GASKET
24 G 17	01.17.20	38 mm	01.11.15
24 G 17	01.17.05	37 mm	01.11.15
24 G 17	01.17.14	36 mm	01.11.15
24 G 17	01.17.15	35 mm	01.11.15
24 G 17	01.17.21	34 mm	01.11.15
24 G 18	01.17.20	33 mm	01.11.15
24 G 18	01.17.05	32 mm	01.11.15
24 G 18	01.17.14	31 mm	01.11.15
24 G 18	01.17.15	30 mm	01.11.15
24 G 18	01.17.21	29 mm	01.11.15



CAM MONTAJINDA SADECE BU SİSTEM İÇİN TASARLANAN VE ÜRETİLEN FİTİLLER KULLANILMALIDIR. FARKLI MALZEME KULLANIMLARI İŞLEVSEL VE TASARIMSAL SORUNLARA SEBEP OLABİLİR. THE GASKETS USED DURING INSTALLING THE GLASS SHOULD BE ONLY THE ONES CREATED FOR THIS SYSTEM. THE USE OF OTHER MATERIALS MAY CAUSE FUNCTIONAL AND DESIGN PROBLEMS.

TABLODA VERİLEN CAM KALINLIKLARI TEORİK OLUP SİSTEMİN ISI PERFORMANS KRİTERLERİNDEN BAĞIMSIZDIR. THE GLASS THICKNESSES IN THE TABLE ARE THEORETICAL AND INDEPENDENT FROM THERMAL PERFORMANCE CRITERIA OF THE SYSTEM.

YUKARIDAKİ TABLODA VERİLEN CAM-FİTİL VE PROFİL İLİŞKİSİ TEORİK OLUP PROFİL VE CAM TOLERANSLARINDAN KAYNAKLI ÖLÇÜ FARKLILIKLARI OLUŞABİLİR. THE RELATIONSHIP BETWEEN GLASS-GASKET AND PROFILE PROVIDED IN THE TABLE IS THEORETICAL. IT MAY OCCUR SIZE DIFFERENCES FROM THE TOLERANCES OF PROFILE AND GLASS.

KÖŞE TAKOZLARI (CORNER CLEATS)

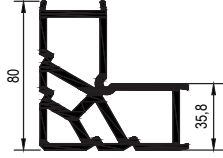


PROFİL KODU (PROFILE CODE)	25 L 03	25 L 26	25 L 32	25 L 35
FABRİKA KODU(FACTORY CODE)	A002021	A010540	A002430	A010076
AĞIRLIK (WEIGHT)	4,315 kg/m	4,870 kg/m	3,702 kg/m	4,192 kg/m
ÇİZİM (DRAWING)				


PROFİL KODU (PROFILE CODE)	25 L 36	25 L 37	25 L 44	25 L 51
FABRİKA KODU(FACTORY CODE)	A002397	A002398	A010786	A010887
AĞIRLIK (WEIGHT)	3,229 kg/m	7,970 kg/m	6,652 kg/m	4,409 kg/m
ÇİZİM (DRAWING)				

Nr		KESİM ÖLÇÜSÜ CUTTING SIZE	AKS. KODU ACS. CODE
AMT75F02	A011225 25 L 36 (A002397)	24,6 mm	288 L 36
	A011224 25 L 36 (A002397)	7,6 mm	287 L 36
AMT75F03	A011299 25 L 36 (A002397)	24,6 mm	288 L 36
	A011298 25 L 36 (A002397)	7,6 mm	287 L 36
AMT75F05	A011877 25 L 36 (A002397)	24,6 mm	288 L 36
	A011298 25 L 36 (A002397)	7,6 mm	287 L 36
AMT75V03	A011219 25 L 03 (A002021)	31,9 mm	274 L 03
	A011218 25 L 03 (A002021)	6,8 mm	275 L 03
AMT75V04	A011301 25 L 36 (A002397)	30,9 mm	110 L 36
	A011300 25 L 36 (A002397)	5,8 mm	167 L 36
AMT75V05	A011717 25 L 51 (A010887)	30,9 mm	110 L 51
	A011300 25 L 36 (A002397)	5,9 mm	167 L 36
AMT75DV01	A011235 25 L 26 (A010540)	28,1 mm	126 L 26
	A011234 25 L 32 (A002430)	6,1 mm	127 L 32
AMT75DV02	A011233 25 L 26 (A010540)	20,0 mm	277 L 26
	A011232 25 L 44 (A010786)	6,1 mm	127 L 44
AMT75DV03	A011303 25 L 26 (A010540)	27,1 mm	289 L 26
	A011302 25 L 32 (A002430)	5,1 mm	228 L 32
AMT75DV04	A011305 25 L 26 (A010540)	19,1 mm	150 L 26
	A011304 25 L 44 (A010786)	5,1 mm	228 L 44
AMT75DV05	A011718 25 L 03 (A002021)	30,9 mm	110 L 03
	A011720 25 L 44 (A010786)	5,9 mm	128 L 44
AMT75DV06	A011719 25 L 03 (A002021)	24,9 mm	322 L 03
	A011721 25 L 03 (A002021)	5,9 mm	128 L 03

Nr		KESİM ÖLÇÜSÜ CUTTING SIZE	AKS. KODU ACS. CODE
AMT75M02	A011225 25 L 36 (A002397)	24,6 mm	288 L 36
	A011230 25 L 36 (A002397)	7,6 mm	287 L 36
AMT75M04	A011217 25 L 35 (A010076)	30,9 mm	110 L 35
	A011216 25 L 35 (A010076)	11,3 mm	342 L 35
AMT75M05	A011215 25 L 36 (A002397)	30,9 mm	110 L 36
	A011214 25 L 36 (A002397)	11,3 mm	342 L 36
AMT75M06	A011299 25 L 36 (A002397)	24,6 mm	288 L 36
	A011306 25 L 36 (A002397)	7,6 mm	287 L 36
AMT75M08	A011299 25 L 36 (A002397)	24,6 mm	288 L 36
	A011631 25 L 36 (A002397)	7,6 mm	287 L 36
AMT75M09	A011229 25 L 03 (A002021)	24,5 mm	310 L 03
	A011228 25 L 03 (A002021)	7,6 mm	287 L 03
AMT75DA04	A015658 25 L 37 (A002398)	27,7 mm	108 L 37

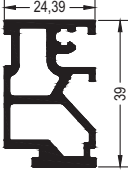
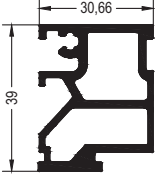
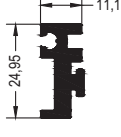
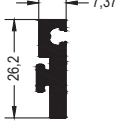
KÖŞE TAKOZLARI (CORNER CLEATS)

PROFİL KODU (PROFILE CODE)	25 L 40	25 L 43	25 L 01	
FABRİKA KODU (FACTORY CODE)	A010702	A010785	A002019	
AĞIRLIK (WEIGHT)	4,304 kg/m	6,427 kg/m	5,894 kg/m	
ÇİZİM (DRAWING)				


Nr		L m	KESİM ÖLÇÜSÜ CUTTING SIZE	AKS. KODU ACS. CODE
AMT75V08	A018250	25 L 40 (A010702)	28,2 mm	253 L 40
	A018249	25 L 43 (A010785)	10,0 mm	367 L 43
AMT75A07	A018248	25 L 01 (A002019)	11,8 mm	368 L 01
	A018247	25 L 01 (A002019)	16,5 mm	305 L 01

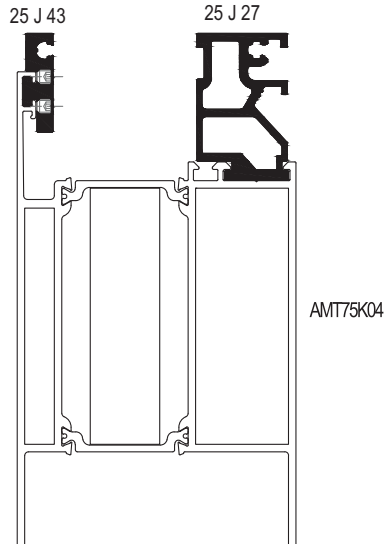
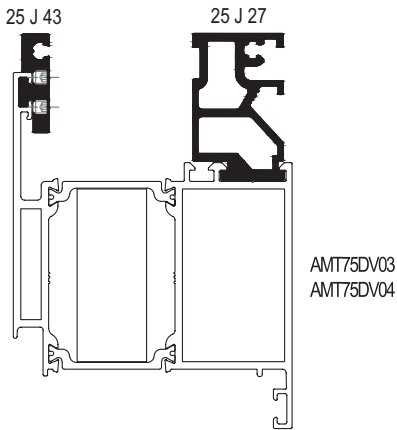
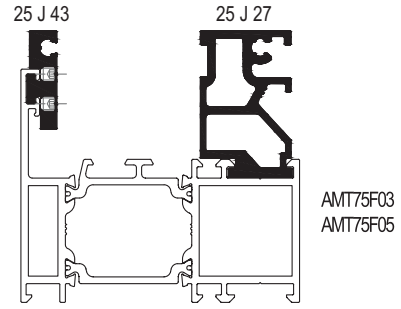


ORTA KAYIT BAĞLANTILAR (MULLION CONNECTION PIECES)

PROFİL KODU (PROFILE CODE)	25 J 27	25 J 41	25 J 42	25 J 43
FABRİKA KODU(FACTORY CODE)	A011352	A011872	A011873	A011874
AĞIRLIK (WEIGHT)	0,889 kg/m	0,992 kg/m	0,456 kg/m	0,403 kg/m
ÇİZİM (DRAWING)				

KASA-ORTAKAYIT-AMT75DV03&04&05&06 İÇİNDE KULLANILIRSA  
USED IN FRAME- MULLION - AMT756DV03&04&05&06

Nr	 L m	KESİM ÖLÇÜSÜ CUTTING SIZE	AKS. KODU ACS. CODE
AMT75M02	A011225 25 J 27 (A011352)	23,7 mm	285 J 27
	A011230 25 J 43 (A011874)	23,7 mm	285 J 43
AMT75M04	A011217 25 J 41 (A011872)	12,6 mm	286 J 41
	A011216 25 J 42 (A011873)	12,6 mm	286 J 42
AMT75M05	A011215 25 J 41 (A011872)	23,7 mm	285 J 41
	A011214 25 J 42 (A011873)	23,7 mm	285 J 42
AMT75M06	A011299 25 J 27 (A011352)	23,7 mm	285 J 27
	A011306 25 J 43 (A011874)	23,7 mm	285 J 43
AMT75M08	A011299 25 J 27 (A011352)	23,7 mm	285 J 27
	A011631 25 J 43 (A011874)	23,7 mm	285 J 43
AMT75M09	A011229 25 J 27 (A011352)	36,4 mm	163 J 27
	A011228 25 J 43 (A011874)	36,4 mm	163 J 43
AMT75K04	A011308 25 J 27 (A011352)	67,6 mm	284 J 27
	A011307 25 J 43 (A011874)	62,5 mm	283 J 43



## STOKTA BULUNAN SİSTEM PROFİLLERİNİN LİSTESİ (LIST OF SYSTEM PROFILES IN STOCK)

Nr			MIN. SİPARİŞ MİKTARI MIN. ORDER QUANTITY
01	AMT75F03	A011299	75 kg
		A011298	75 kg
02	AMT75V04	A011301	75 kg
		A011300	75 kg
03	AMT75V05	A011717	75 kg
		A011300	75 kg
04	AMT75DV04	A011305	75 kg
		A011304	75 kg
05	AMT75DV03	A011303	75 kg
		A011302	75 kg
06	AMT75DV05	A011718	75 kg
		A011720	75 kg
07	AMT75M06	A011299	75 kg
		A011306	75 kg
08	AMT75K04	A011308	75 kg
		A011307	75 kg
09	AMT75DA01	A011245	75 kg
		A011244	75 kg
10	AMT75DA02	A011242	75 kg
		A011243	75 kg
11	AMT75A04	A011257	75 kg
		A011256	75 kg
12	AMT65 A 01	A011260	75 kg
	25 L 03	A002021	75 kg
	25 L 26	A010540	75 kg
	25 L 32	A002430	75 kg
	25 L 35	A010076	75 kg
	25 L 36	A002397	75 kg
	25 L 44	A010786	75 kg
	25 L 51	A010887	75 kg
	24 G 13	A011415	75 kg
	24 G 14	A011443	75 kg
	24 G 15	A011444	75 kg
	24 G 16	A011445	75 kg
	24 G 17	A011446	75 kg
	24 G 18	A011447	75 kg
	25 J 26	A011347	75 kg
	25 J 27	A011352	75 kg
	25 J 28	A011349	75 kg
	25 J 29	A011350	75 kg
	25 J 30	A011351	75 kg

\* STOKTA BULUNMAYAN TÜM PROFİLLER İÇİN MİNİMUM SİPARİŞ MİKTARI 300 KG'DİR.  
MINIMUM ORDER QUANTITY FOR ALL THE PROFILES THAT ARE NOT IN STOCK IS 300 KG.

# MİMARİ KATALOG ARCHITECTURAL CATALOGUE

Alüminyum Kapı Pencere ve Giydirme Cephe Sistemleri  
Aluminium Door Window and Facade Systems

# RWT75

DETAYLAR

DETAILS

01

02

03

04

05

06

07

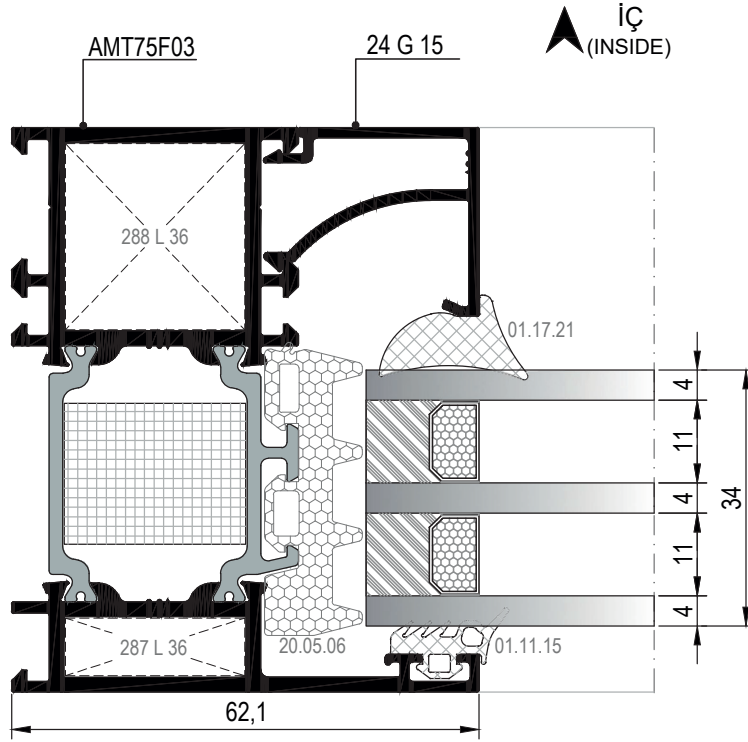
08

09

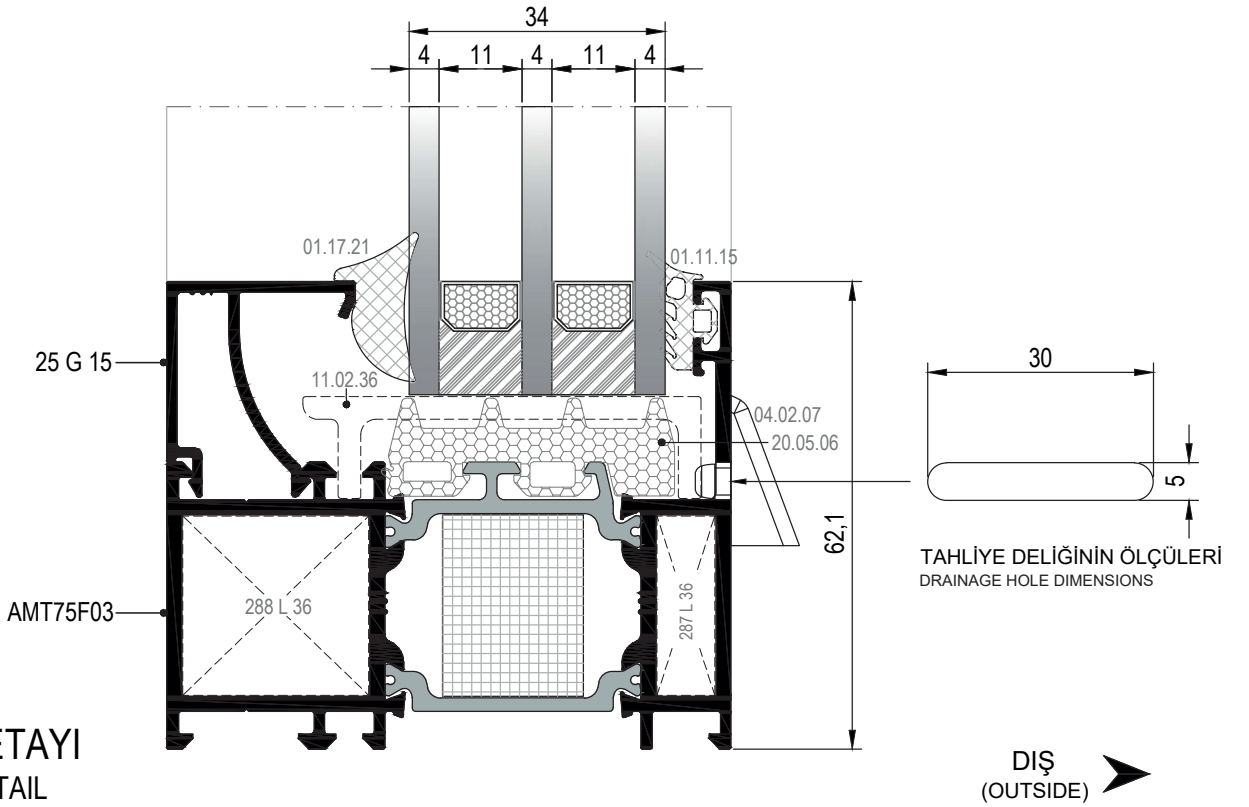
10

11

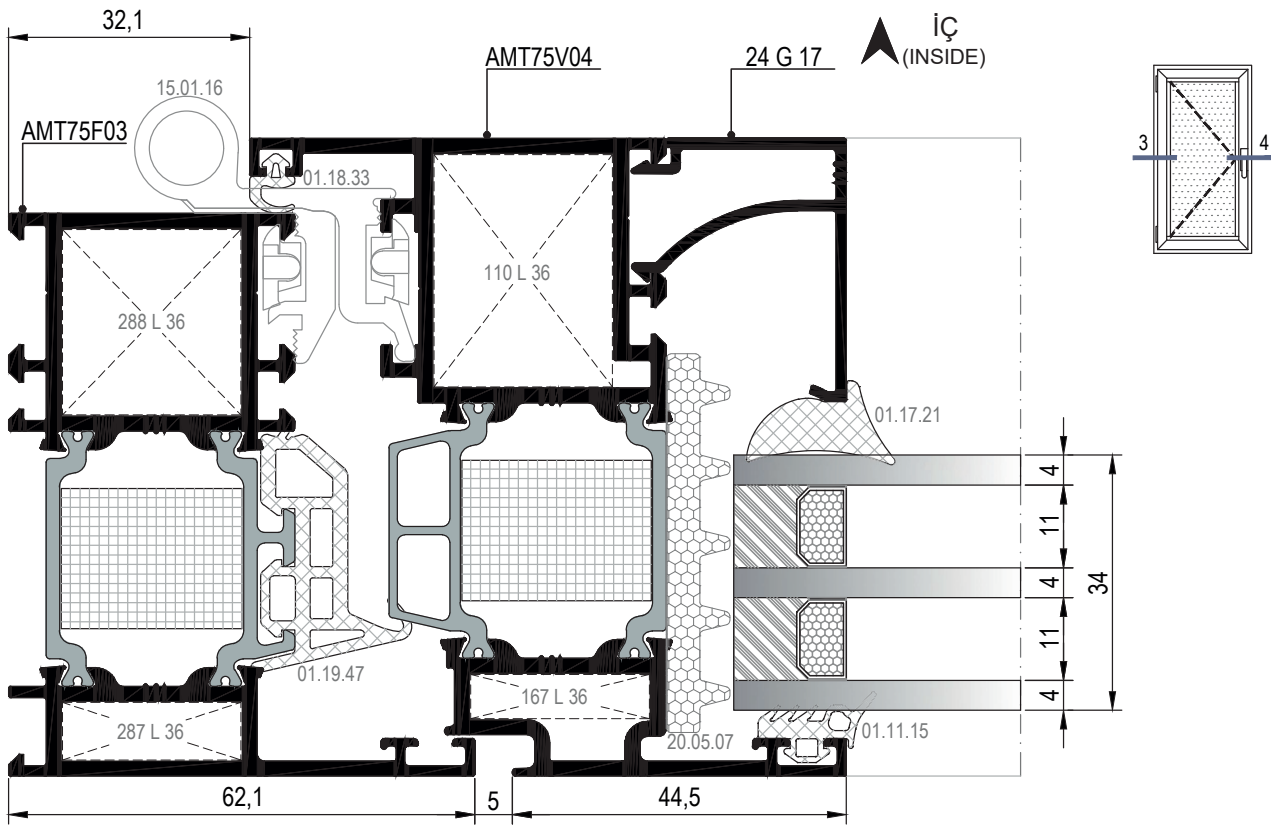
12



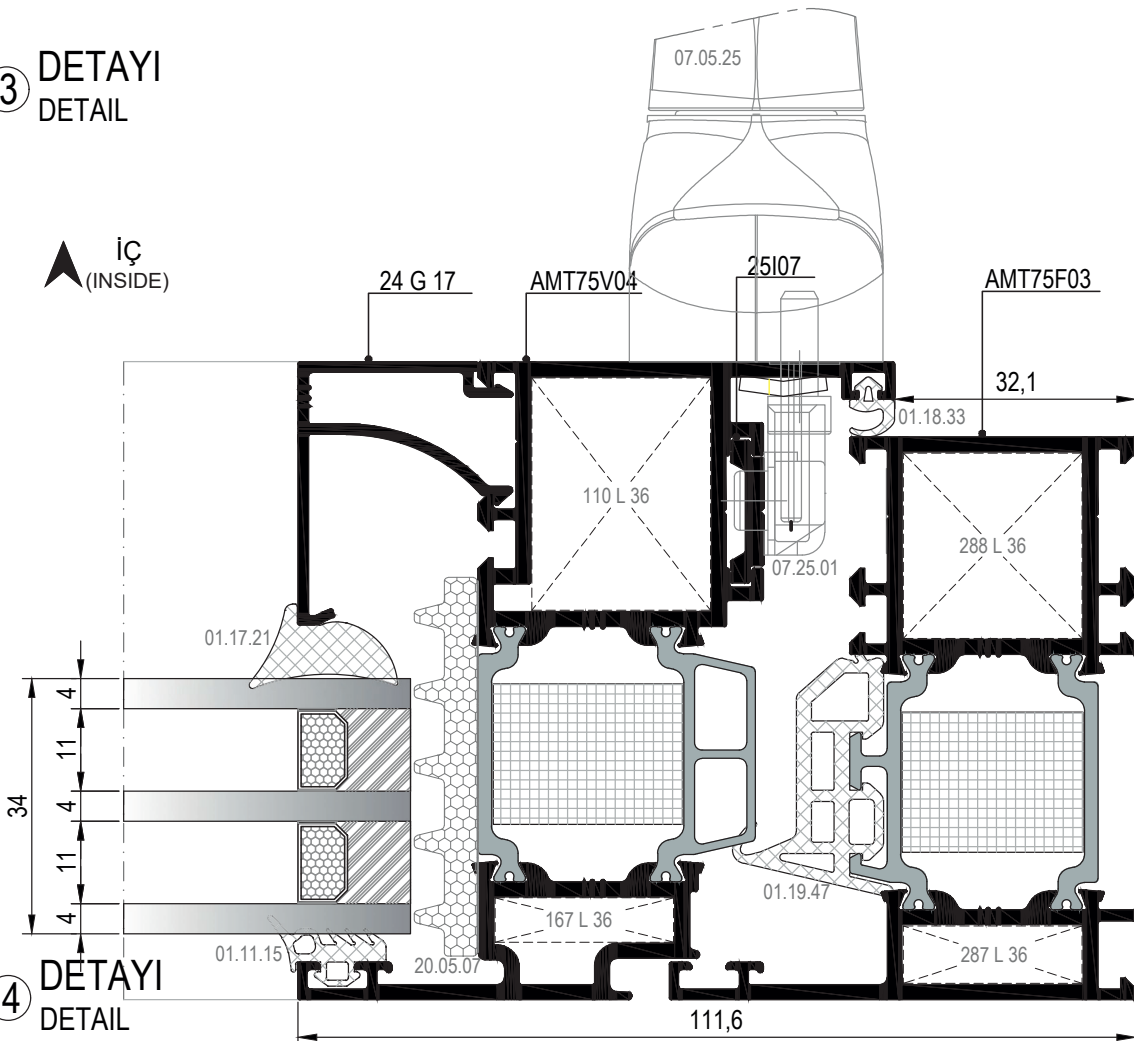
① DETAYI  
DETAIL



② DETAYI  
DETAIL



③ DETAYI  
DETAIL



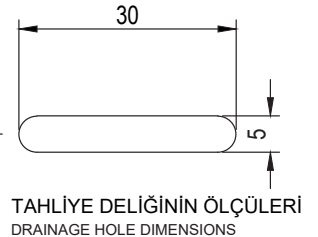
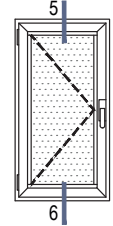
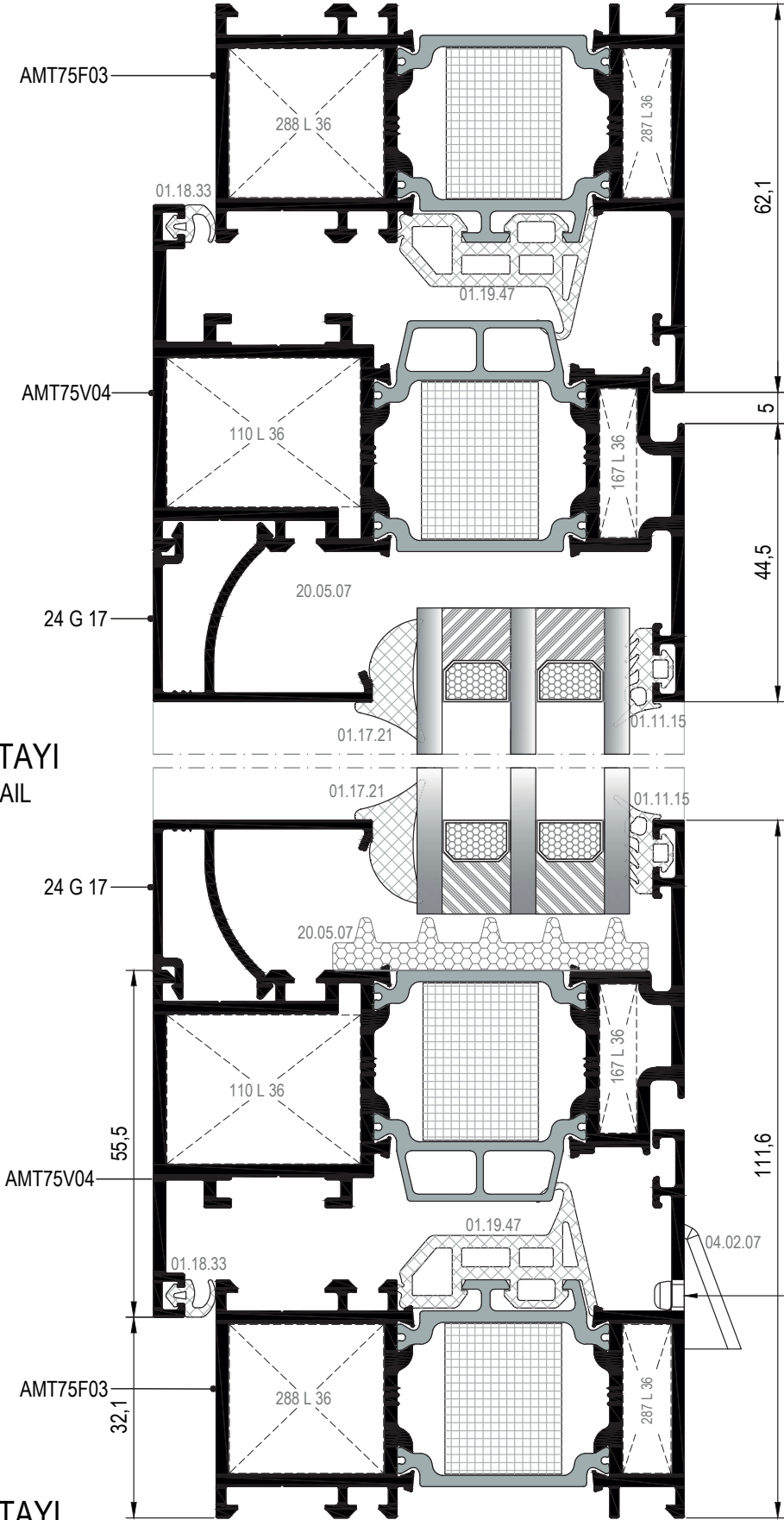
④ DETAYI  
DETAIL

- 01
- 02
- 03
- 04
- 05
- 06
- 07
- 08
- 09
- 10
- 11
- 12

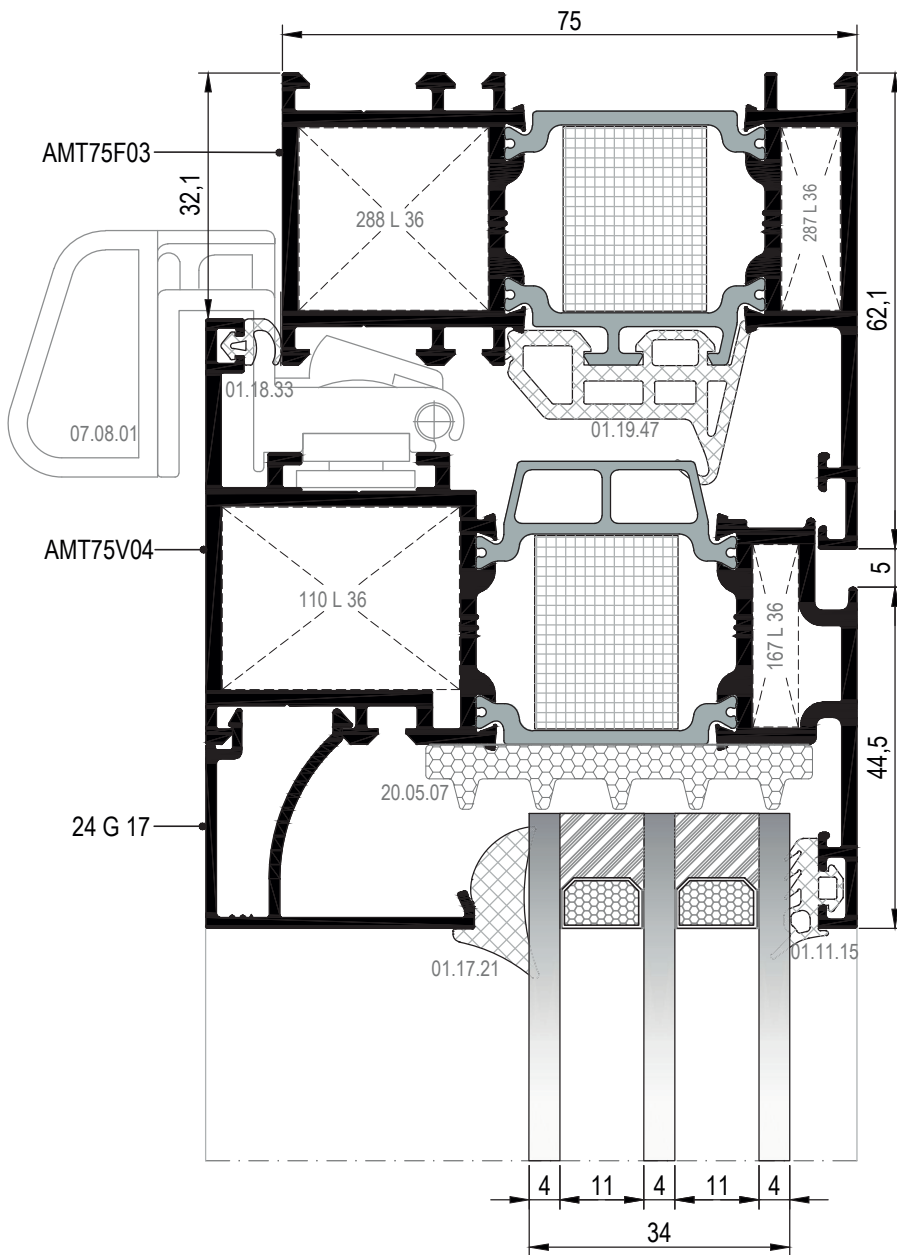
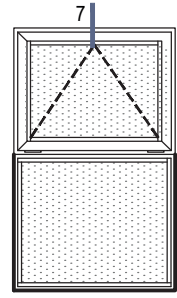
- 01
- 02
- 03
- 04
- 05
- 06
- 07
- 08
- 09
- 10
- 11
- 12

5 DETAYI  
DETAIL

6 DETAYI  
DETAIL



DIŞ  
(OUTSIDE) ➔



01

02

03

04

05

06

07

08

09

10

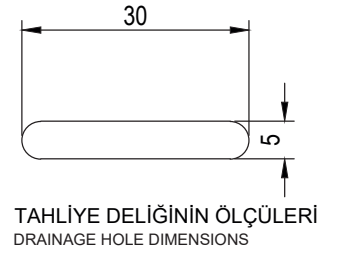
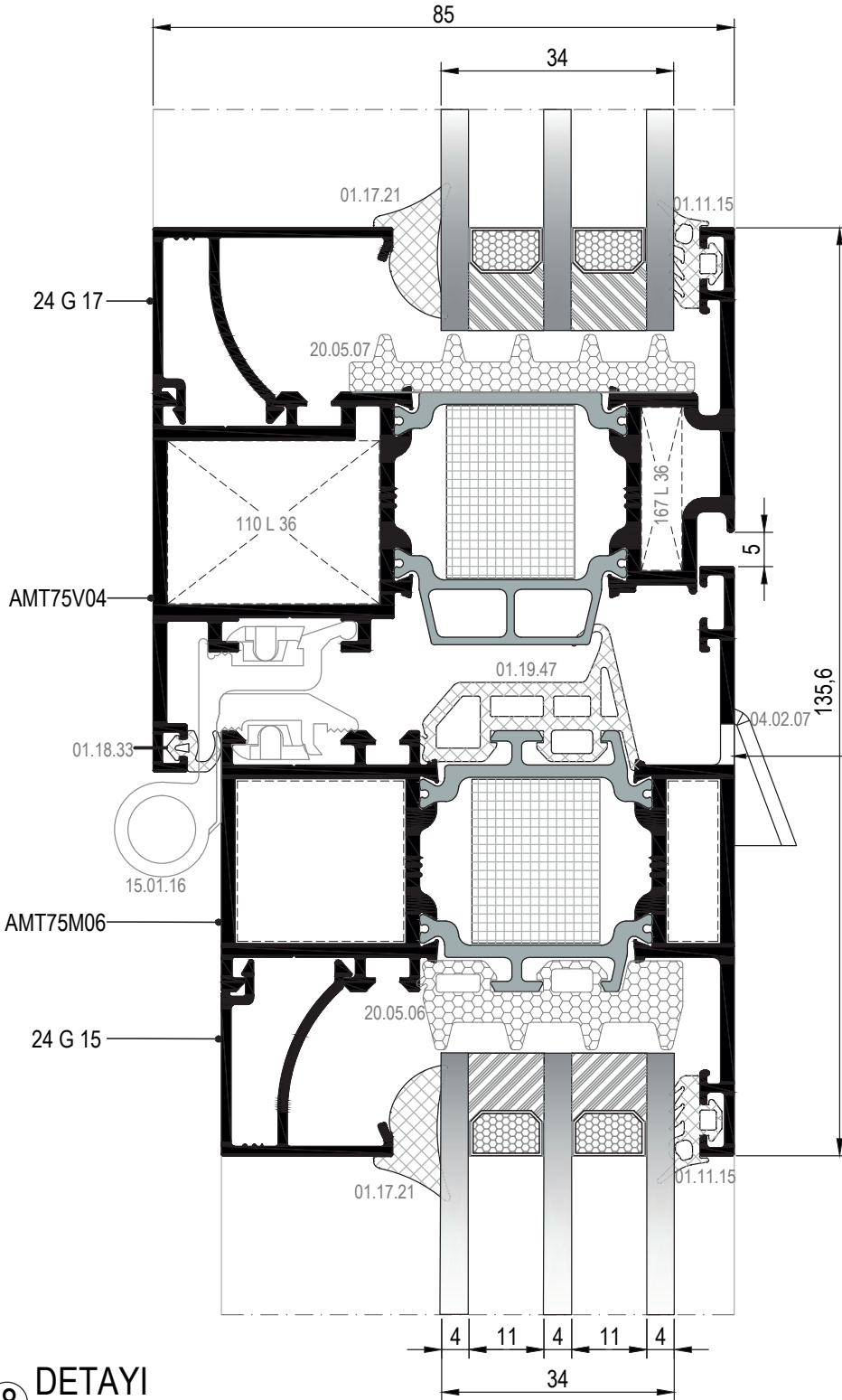
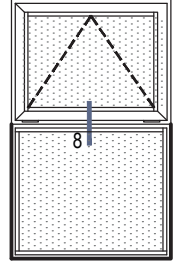
11

12

7 DETAYI  
DETAIL

DIŞ  
(OUTSIDE) ➔

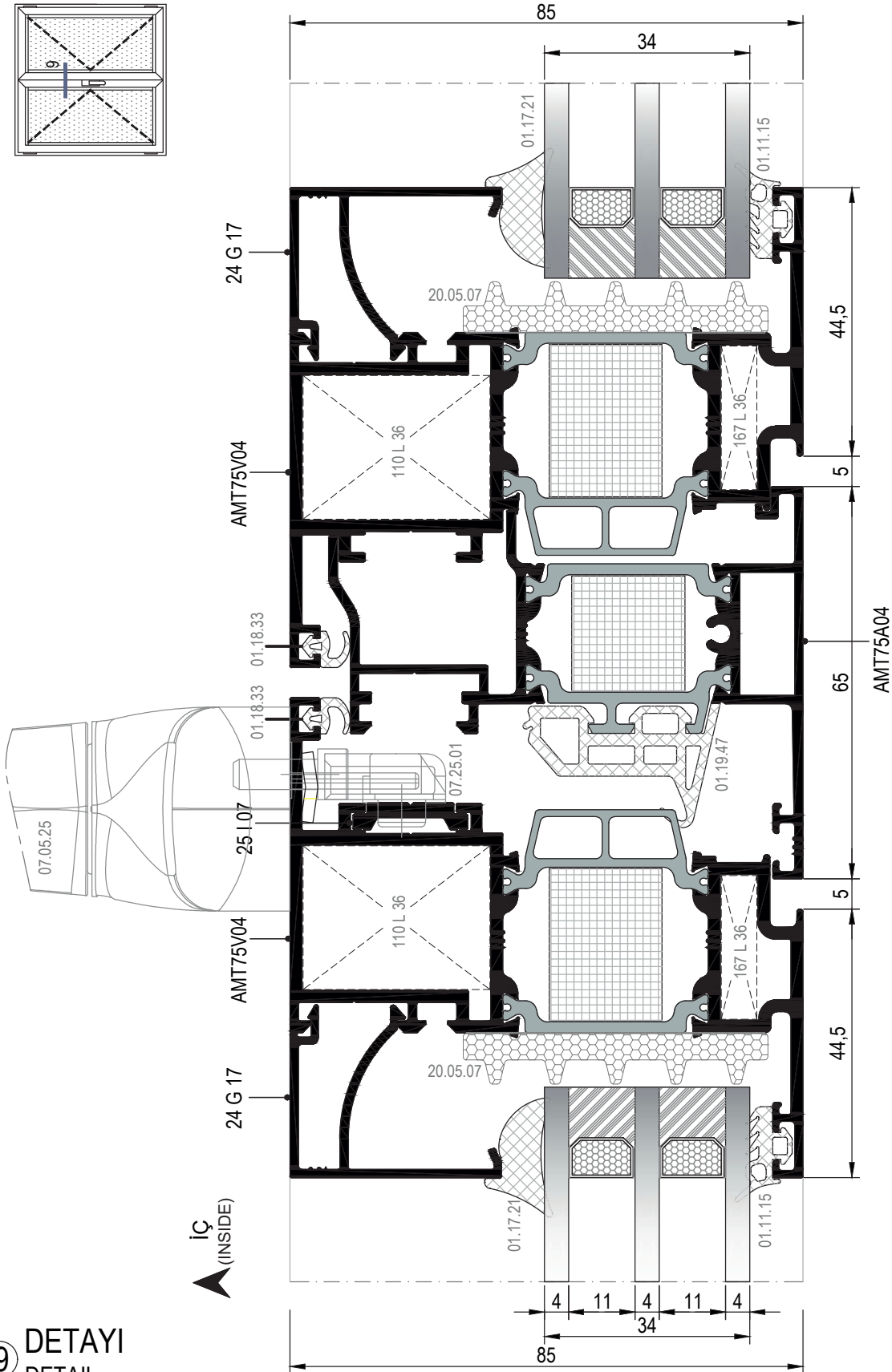
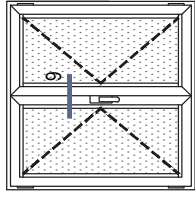
- 01
- 02
- 03
- 04
- 05
- 06
- 07
- 08
- 09
- 10
- 11
- 12



⑧ DETAYI  
DETAIL

DIŞ  
(OUTSIDE) ➔

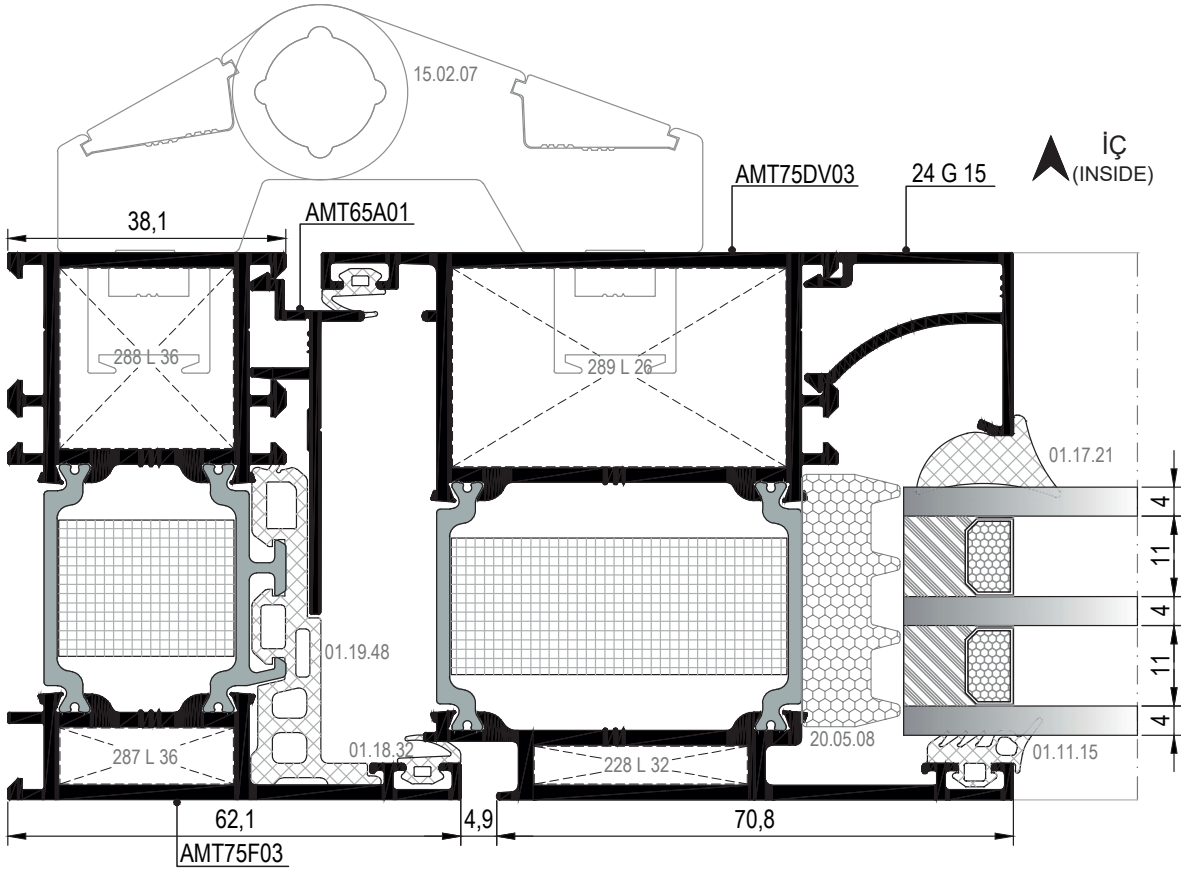
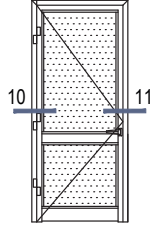




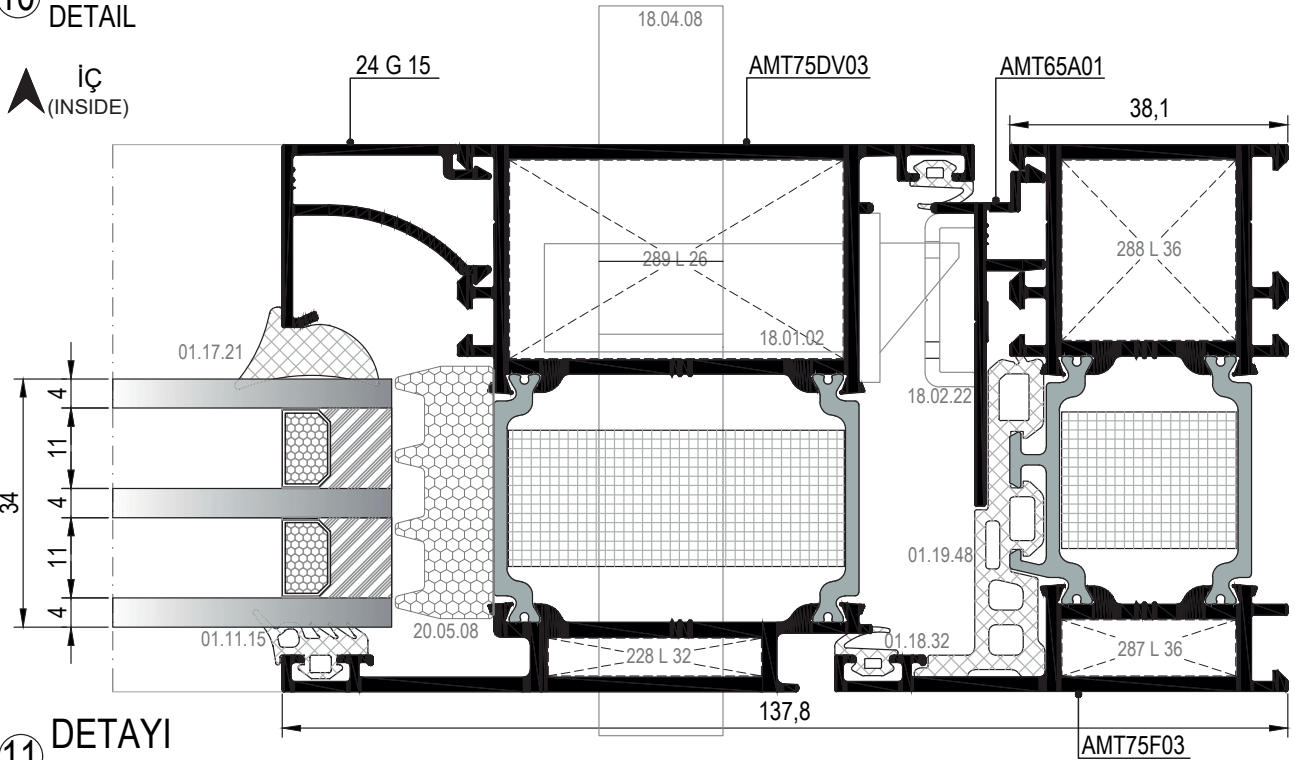
9 DETAYI  
DETAIL

- 01
- 02
- 03
- 04
- 05
- 06
- 07
- 08
- 09
- 10
- 11
- 12

İÇE AÇILIM HEMYÜZ KAPI DETAYLARI  
INWARD OPENING FLUSH DOOR DETAILS



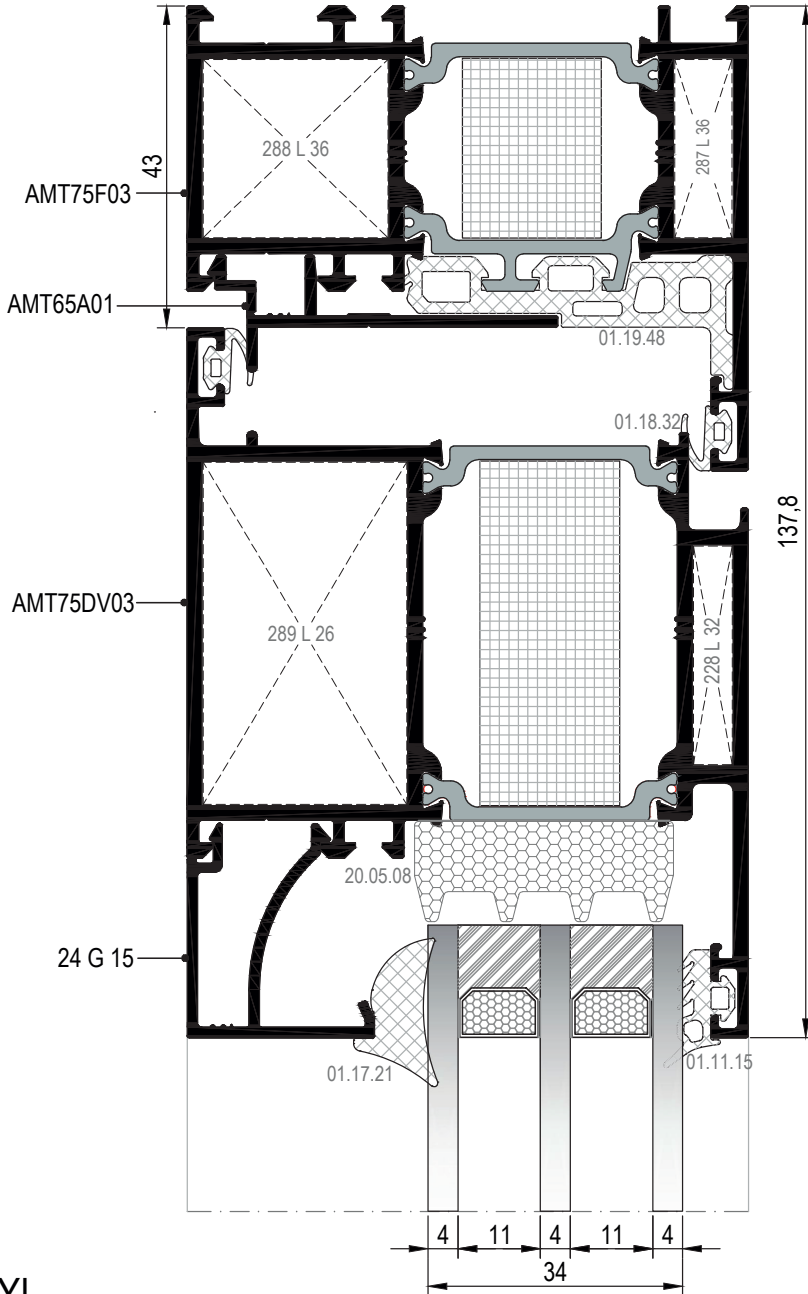
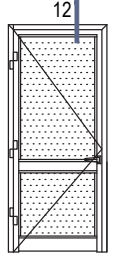
10 DETAYI  
DETAIL



11 DETAYI  
DETAIL

- 01
- 02
- 03
- 04
- 05
- 06
- 07
- 08
- 09
- 10
- 11
- 12

İÇE AÇILIM HEMYÜZ KAPI DETAYLARI  
INWARD OPENING FLUSH DOOR DETAILS



12 DETAYI  
DETAIL

DIŞ  
(OUTSIDE) ➔

01

02

03

04

05

06

07

08

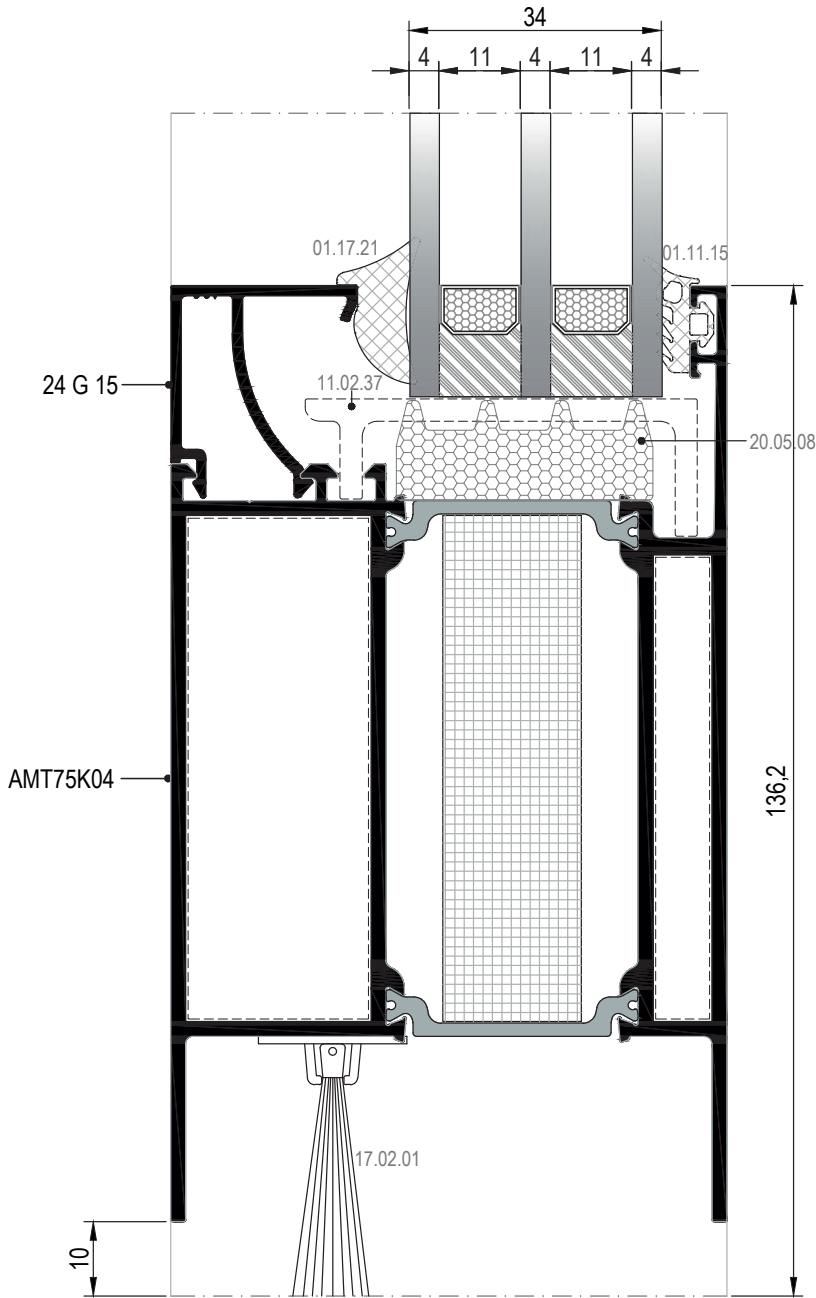
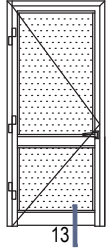
09

10

11

12

İÇE AÇILIM HEMYÜZ KAPI DETAYLARI  
INWARD OPENING FLUSH DOOR DETAILS



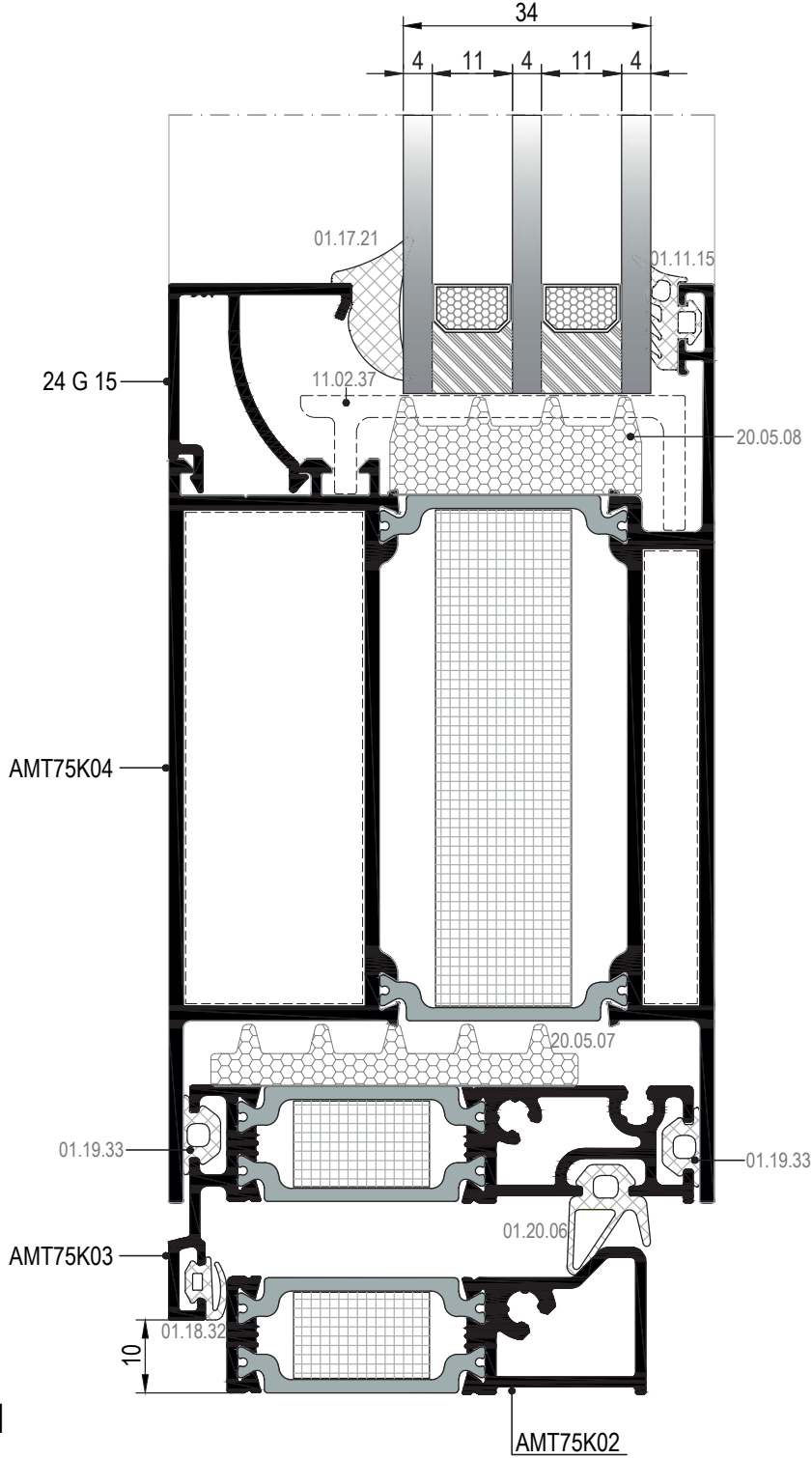
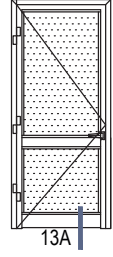
13 DETAYI  
DETAIL

AMT75K04

676

DIŞ  
(OUTSIDE) ➔

İÇE AÇILIM HEMYÜZ KAPI DETAYLARI  
INWARD OPENING FLUSH DOOR DETAILS

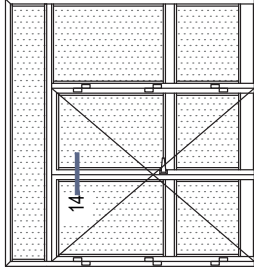


13A DETAYI  
DETAIL

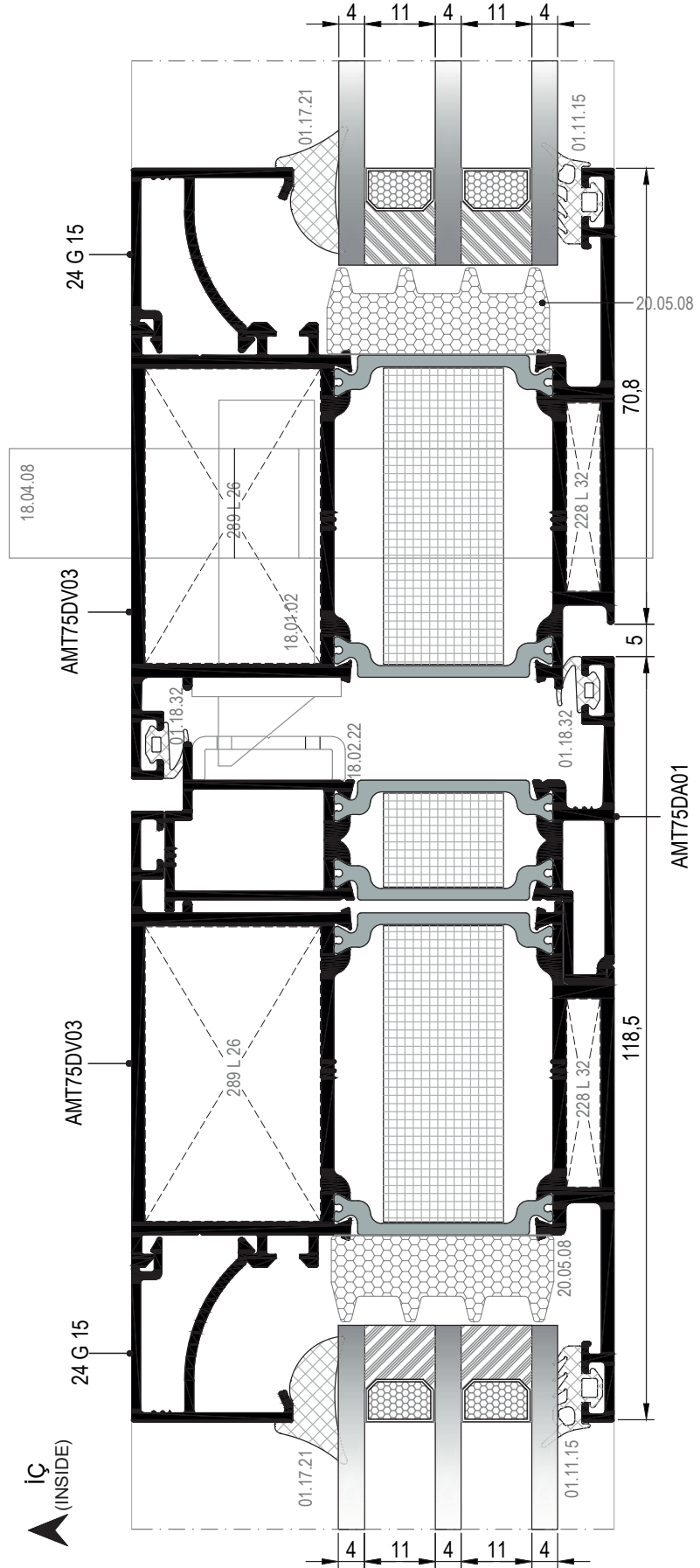
DIŞ  
(OUTSIDE) ➔

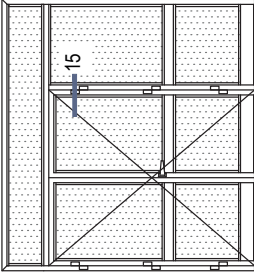
- 01
- 02
- 03
- 04
- 05
- 06
- 07
- 08
- 09
- 10
- 11
- 12

- 01
- 02
- 03
- 04
- 05
- 06
- 07
- 08
- 09
- 10
- 11
- 12

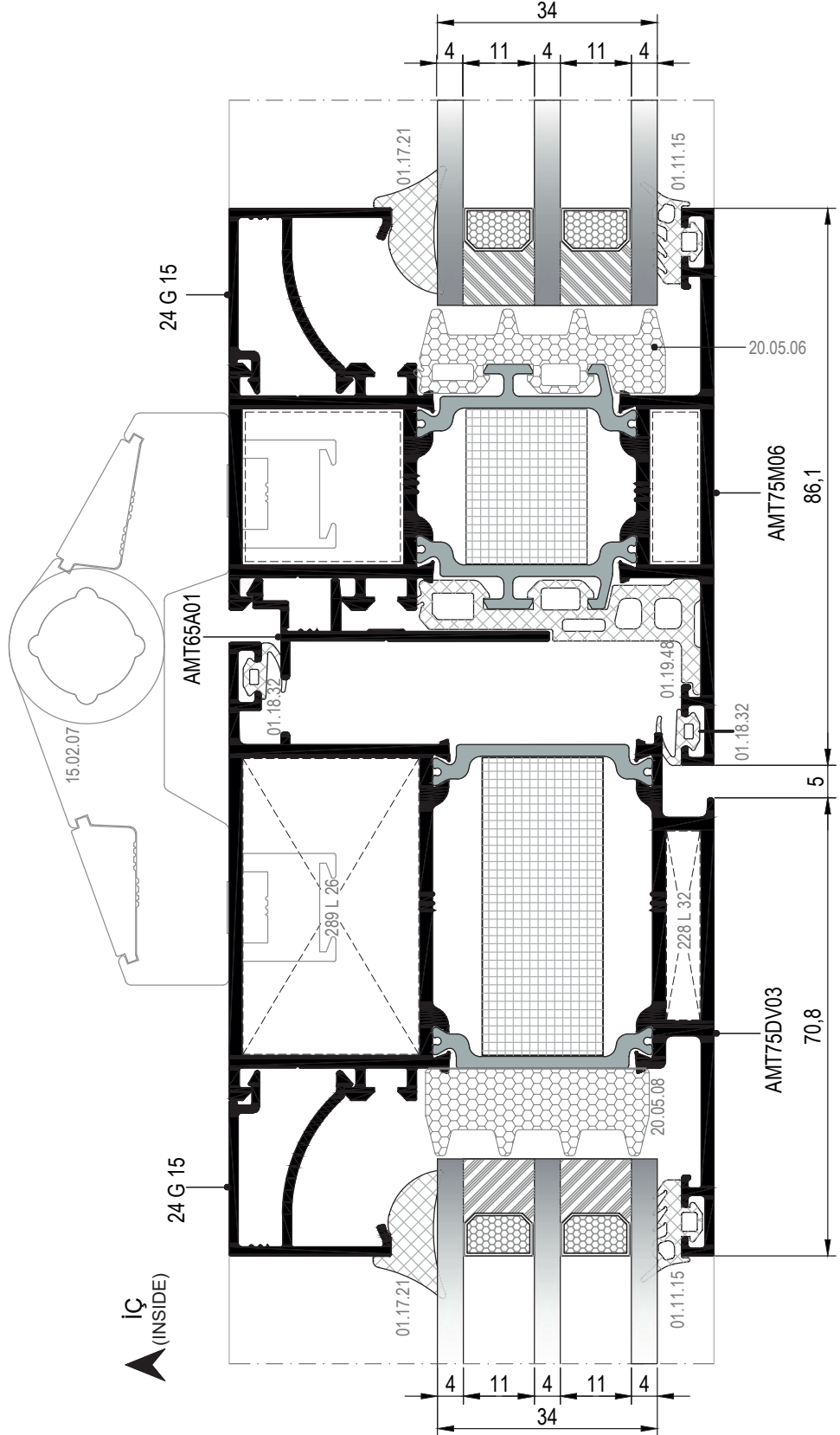


İÇE AÇILIM HEMYÜZ KAPI DETAYLARI  
INWARD OPENING FLUSH DOOR DETAILS





İÇE AÇILIM HEMYÜZ KAPI DETAYLARI  
INWARD OPENING FLUSH DOOR DETAILS



01

02

03

04

05

06

07

08

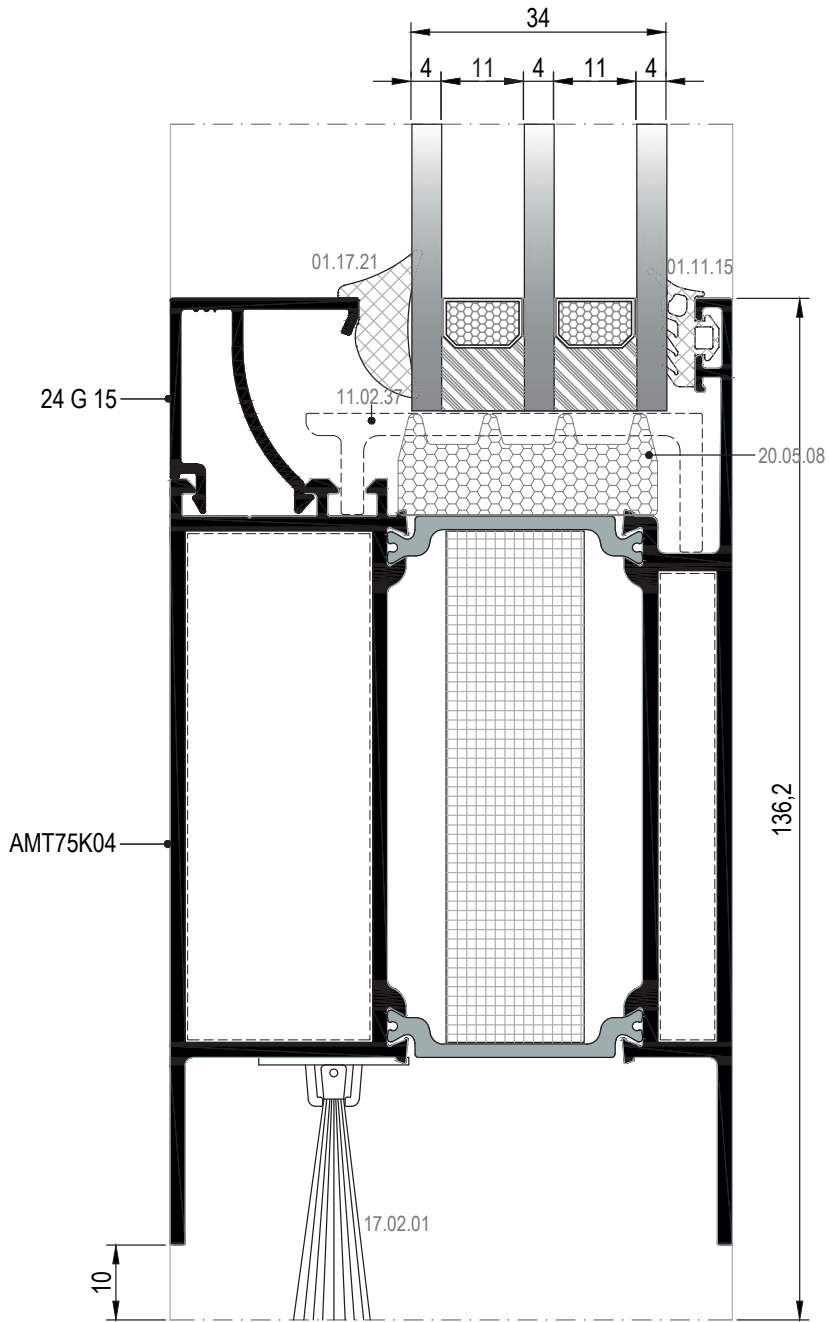
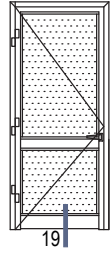
09

10

11

12

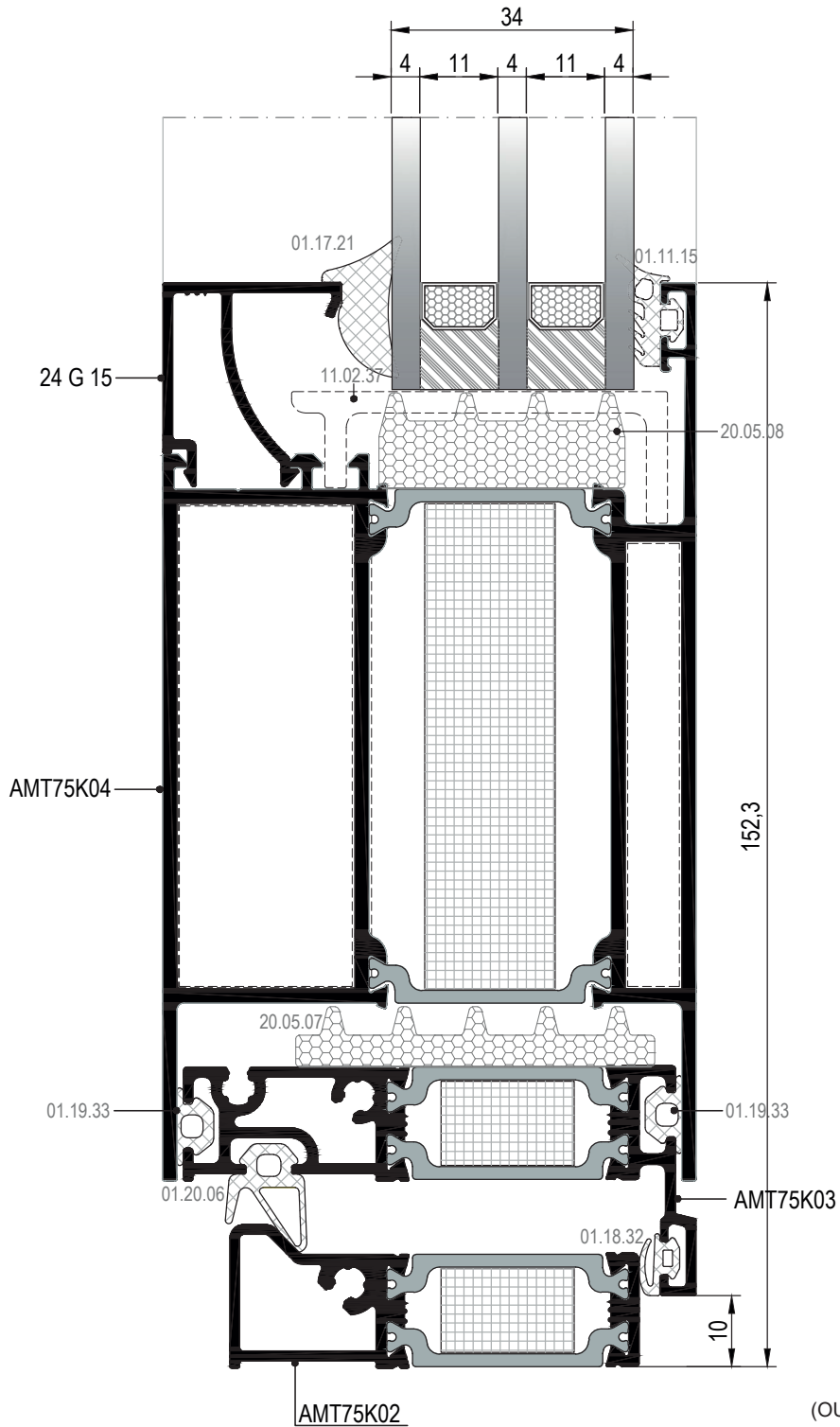
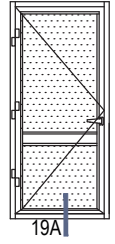
15 DETAYI  
DETAIL



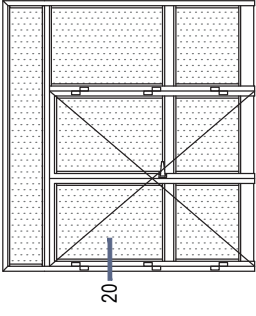
19 DETAYI  
DETAIL

DIŞ  
(OUTSIDE) ➔





19A DETAYI  
DETAIL



DIŐA AÇILIM ADAPTÖRLÜ HEMYÜZ KAPI DETAYLARI  
OUTWARD OPENING FLUSH DOOR DETAILS

01

02

03

04

05

06

07

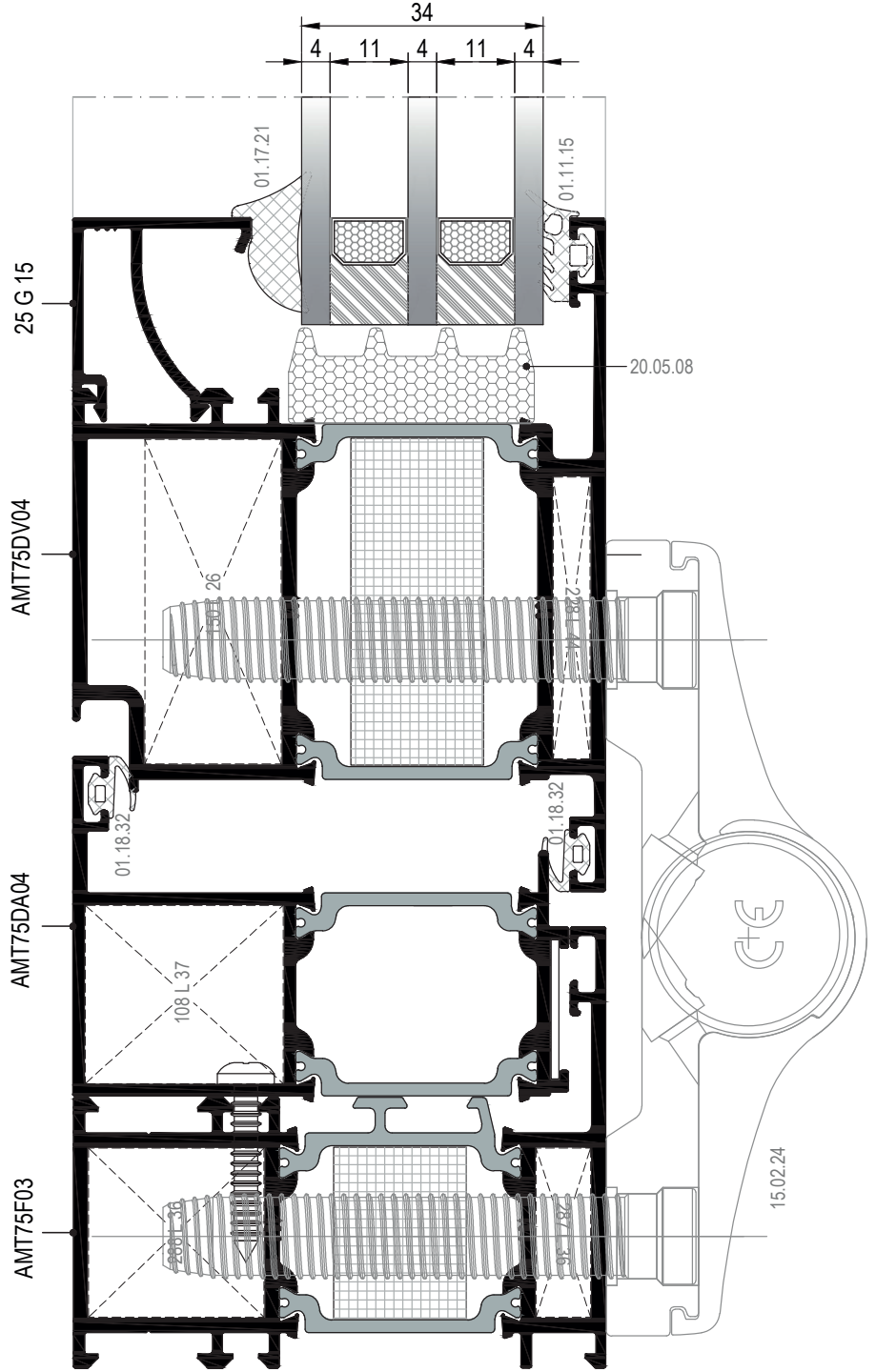
08

09

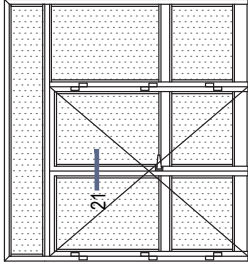
10

11

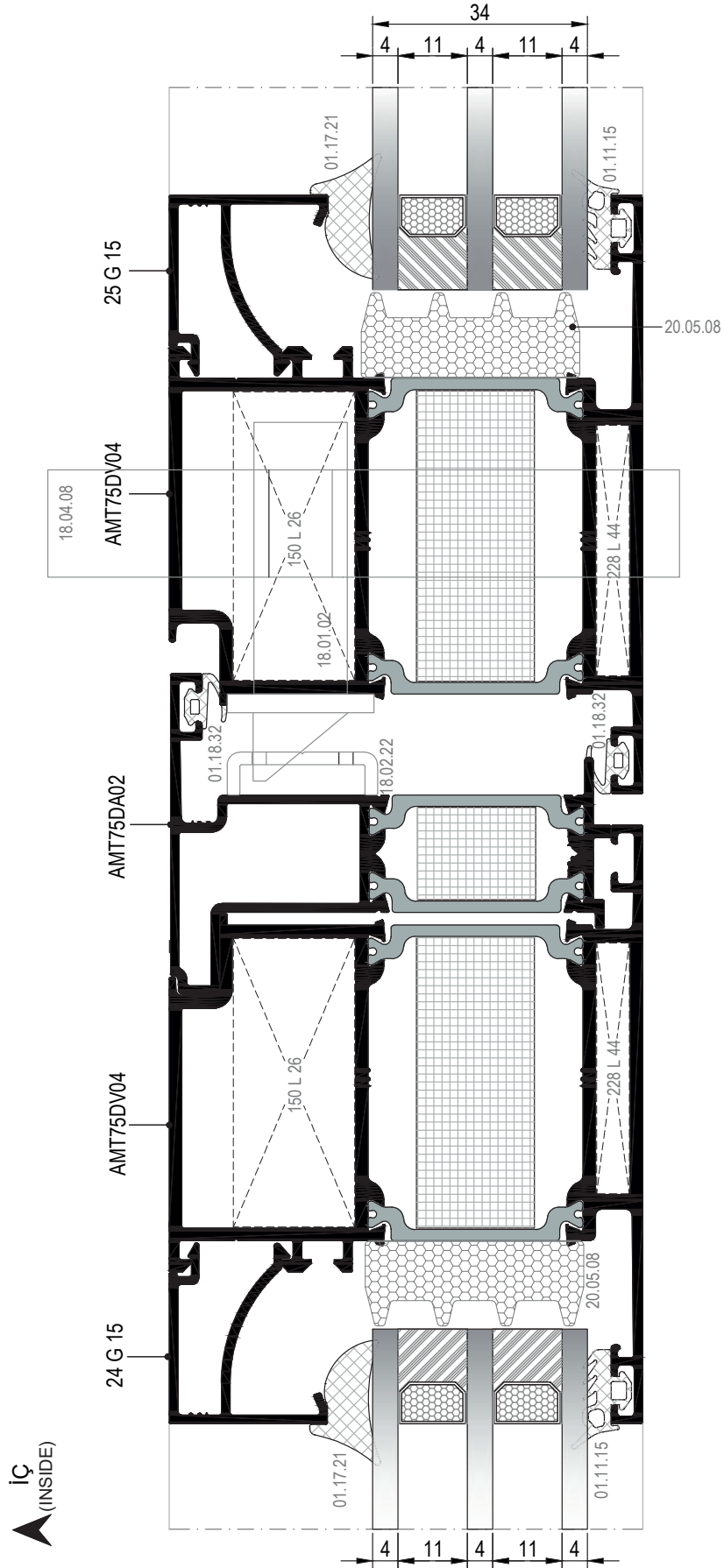
12



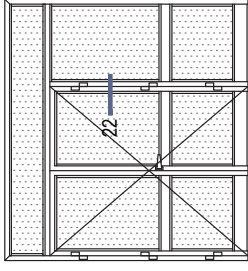
20 DETAYI  
DETAIL



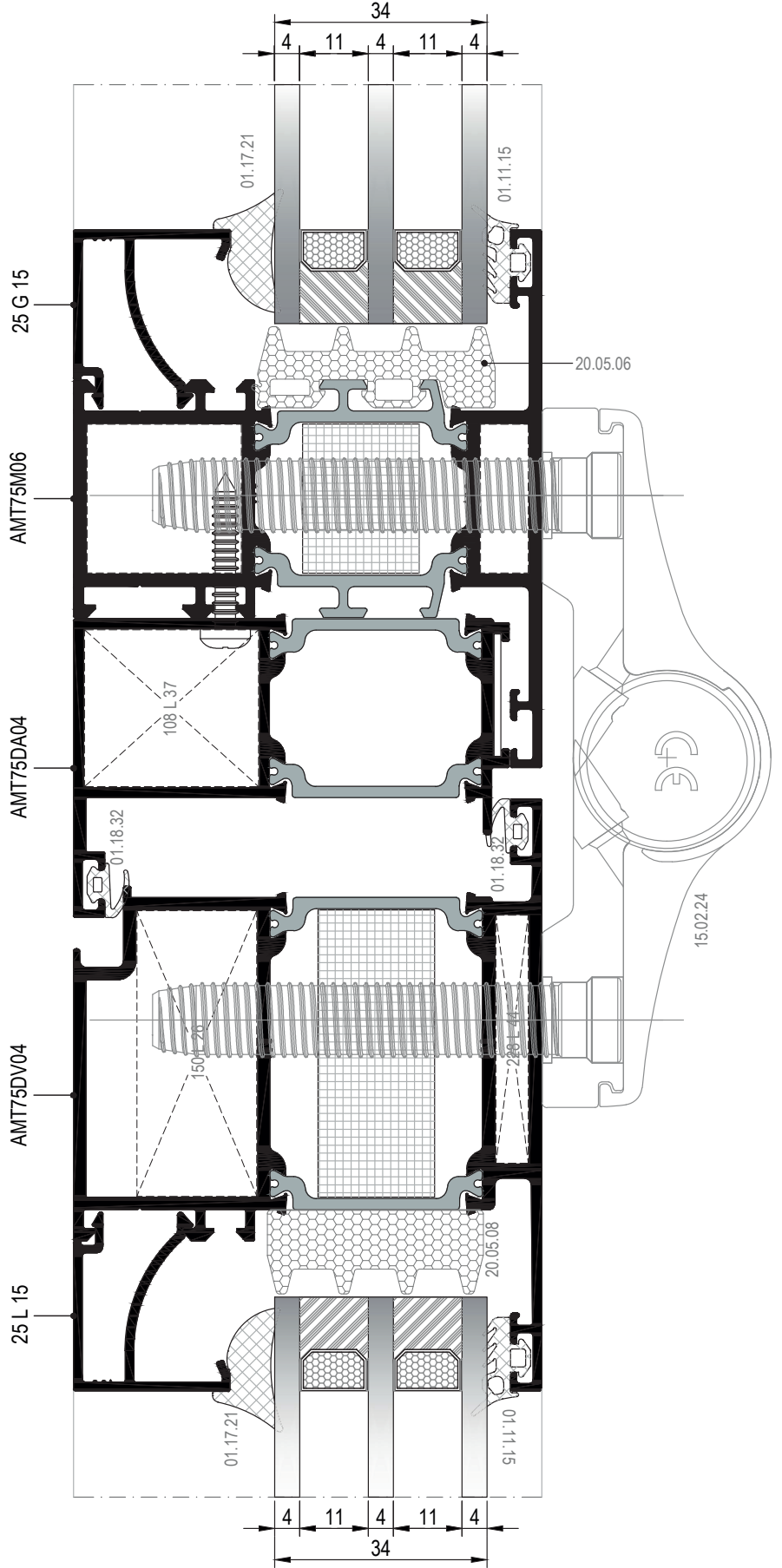
DIŐA AÇILIM ADAPTÖRLÜ HEMİYÜZ KAPI DETAYLARI  
OUTWARD OPENING FLUSH DOOR DETAILS



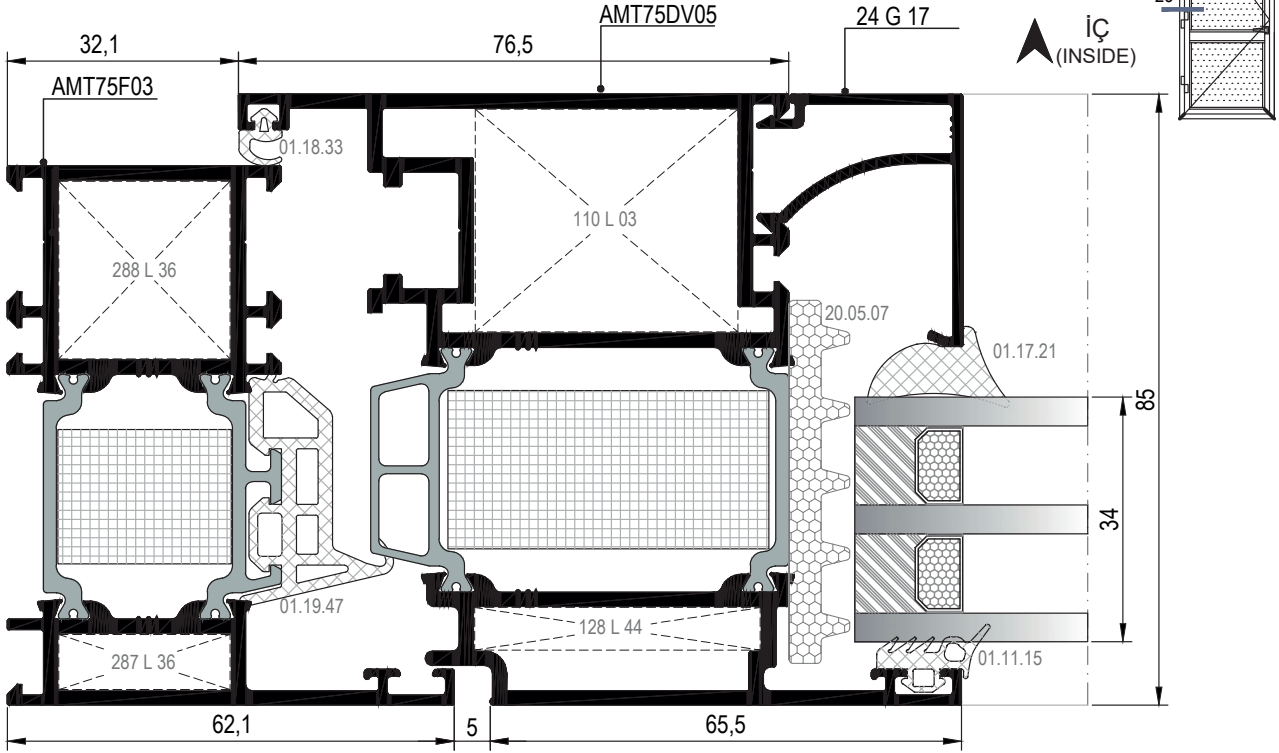
- 01
- 02
- 03
- 04
- 05
- 06
- 07
- 08
- 09
- 10
- 11
- 12



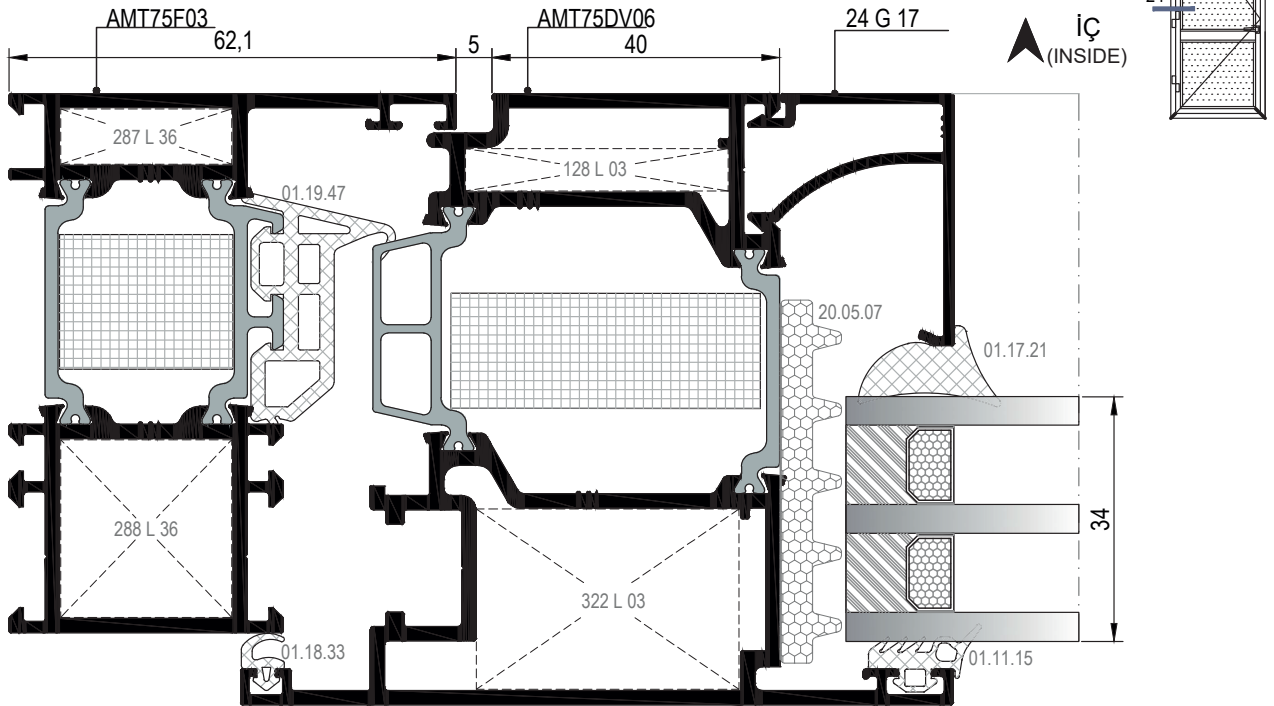
DIŐA AÇILIM ADAPTÖRLÜ HEMİYÜZ KAPI DETAYLARI  
OUTWARD OPENING FLUSH DOOR DETAILS



PVC AÇILIM AKSESUARINA UYGUN İÇE AÇILIM KANAT DETAYI  
INWARD OPENING VENT DETAIL FOR PVC ACCESSORIES



23 DETAYI  
DETAIL



24 DETAYI  
DETAIL

PVC AÇILIM AKSESUARINA UYGUN DIŞA AÇILIM KANAT DETAYI  
OUTWARD OPENING VENT DETAIL FOR PVC ACCESSORIES

01

02

03

04

05

06

07

08

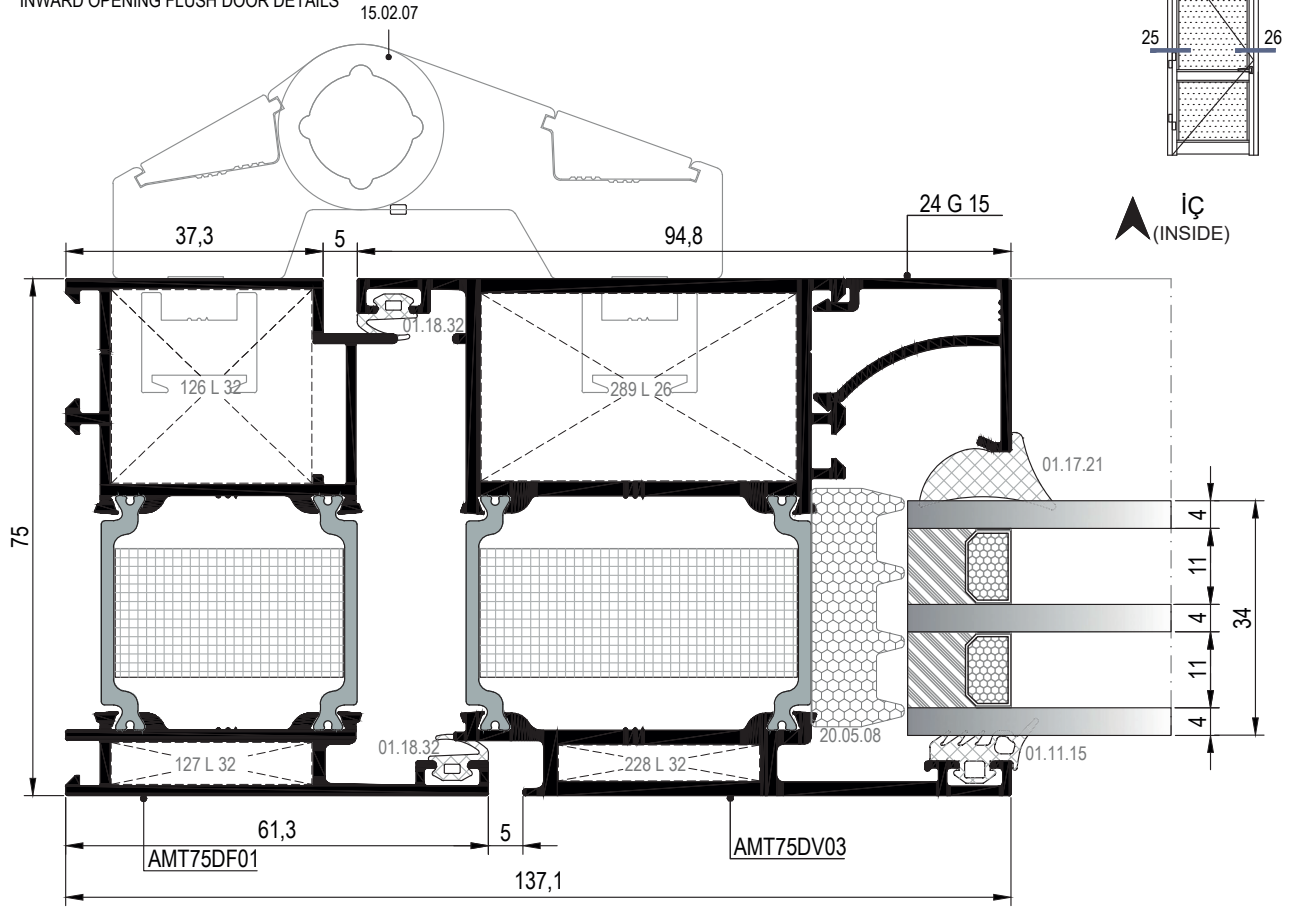
09

10

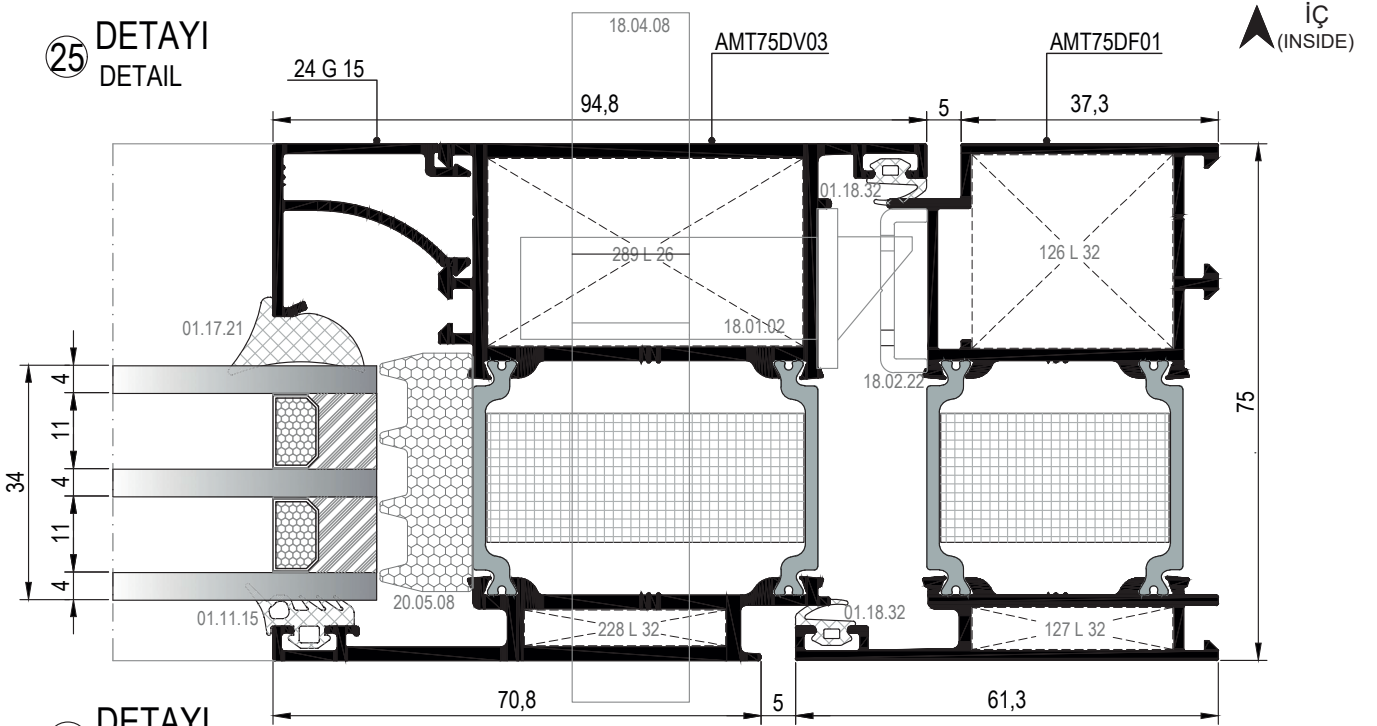
11

12

İÇE AÇILIM HEMİYÜZ KAPI DETAYLARI  
INWARD OPENING FLUSH DOOR DETAILS



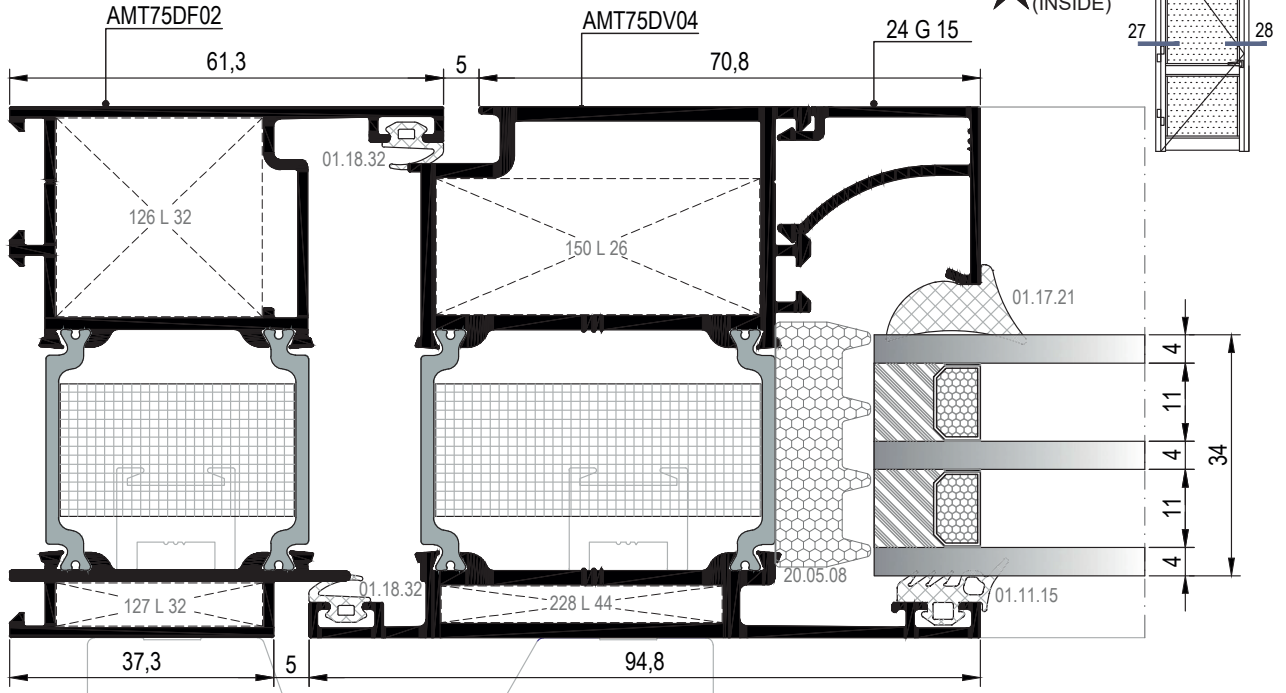
25 DETAYI  
DETAIL



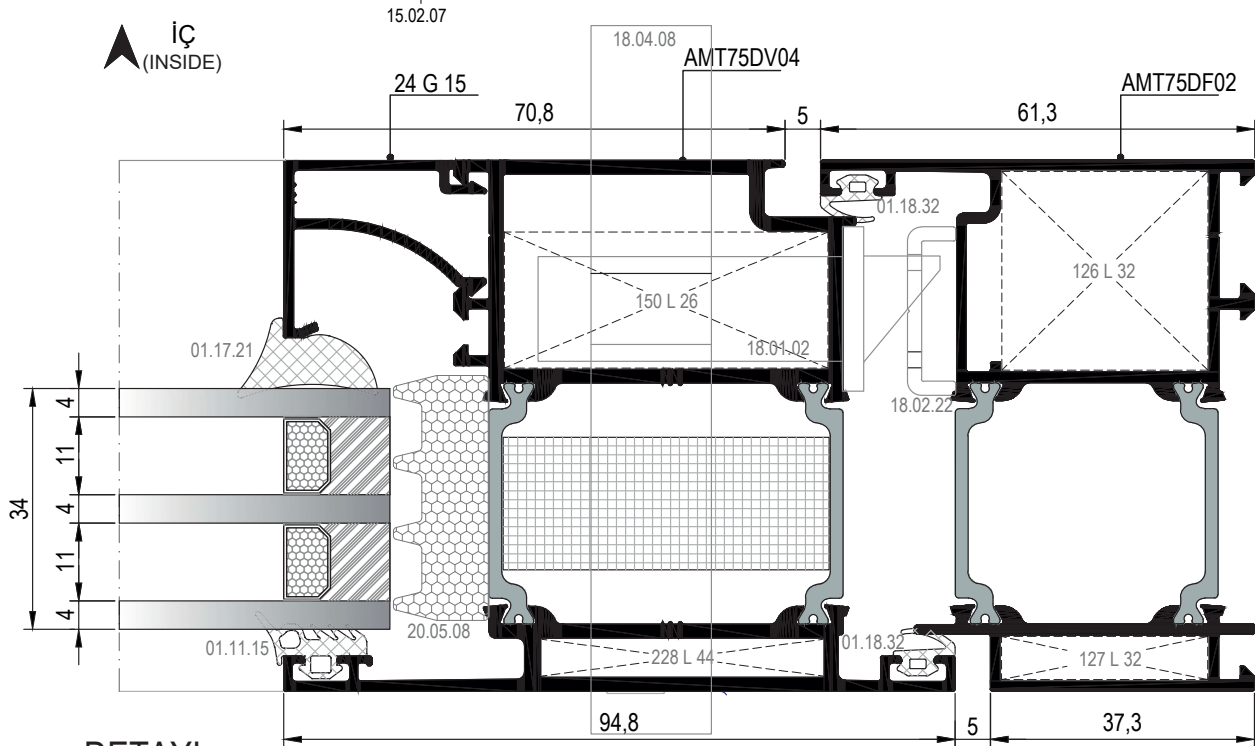
26 DETAYI  
DETAIL



DIŐA AÇILIM HEMYÜZ KAPI DETAYLARI  
OUTWARD OPENING FLUSH DOOR DETAILS



27 DETAYI  
DETAIL



28 DETAYI  
DETAIL

01

02

03

04

05

06

07

08

09

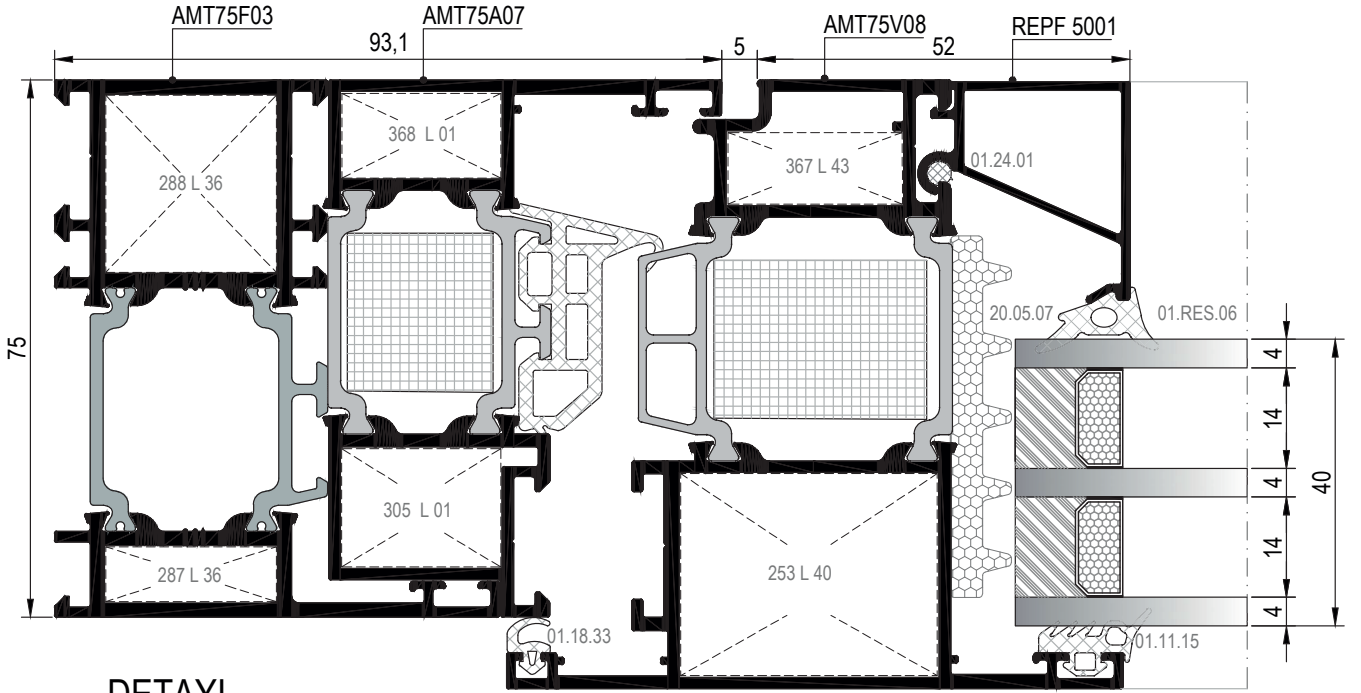
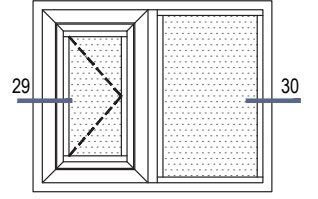
10

11

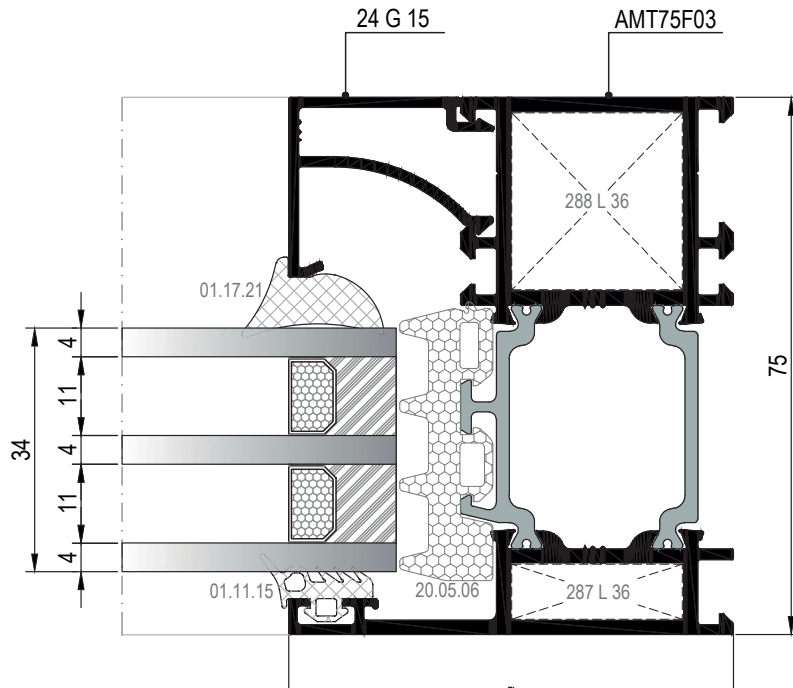
12



DIŞA AÇILIM PENCERE DETAYLARI  
OUTWARD OPENING WINDOW DETAILS



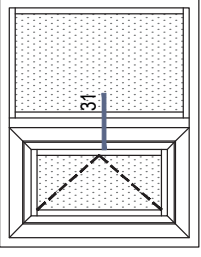
29 DETAYI  
DETAIL



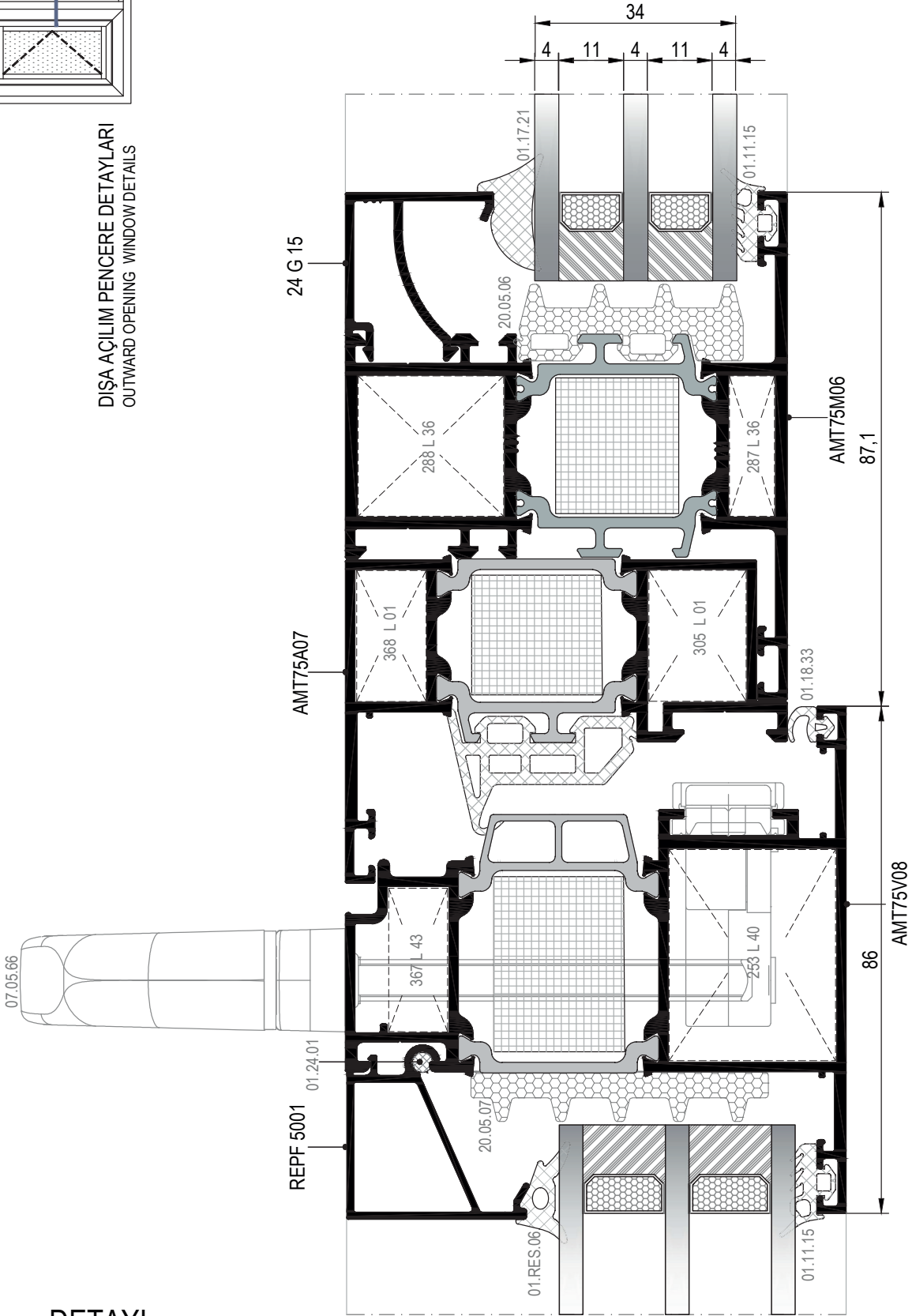
30 DETAYI  
DETAIL

DIŞ  
(OUTSIDE)





DIŞA AÇILIM PENCERE DETAYLARI  
OUTWARD OPENING WINDOW DETAILS



31 DETAYI  
DETAIL

DIŞ  
(OUTSIDE)

01

02

03

04

05

06

07

08

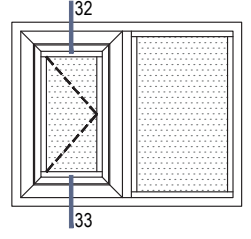
09

10

11

12

DIŐA AÇILIM PENCERE DETAYLARI  
OUTWARD OPENING WINDOW DETAILS



01

02

03

04

05

06

07

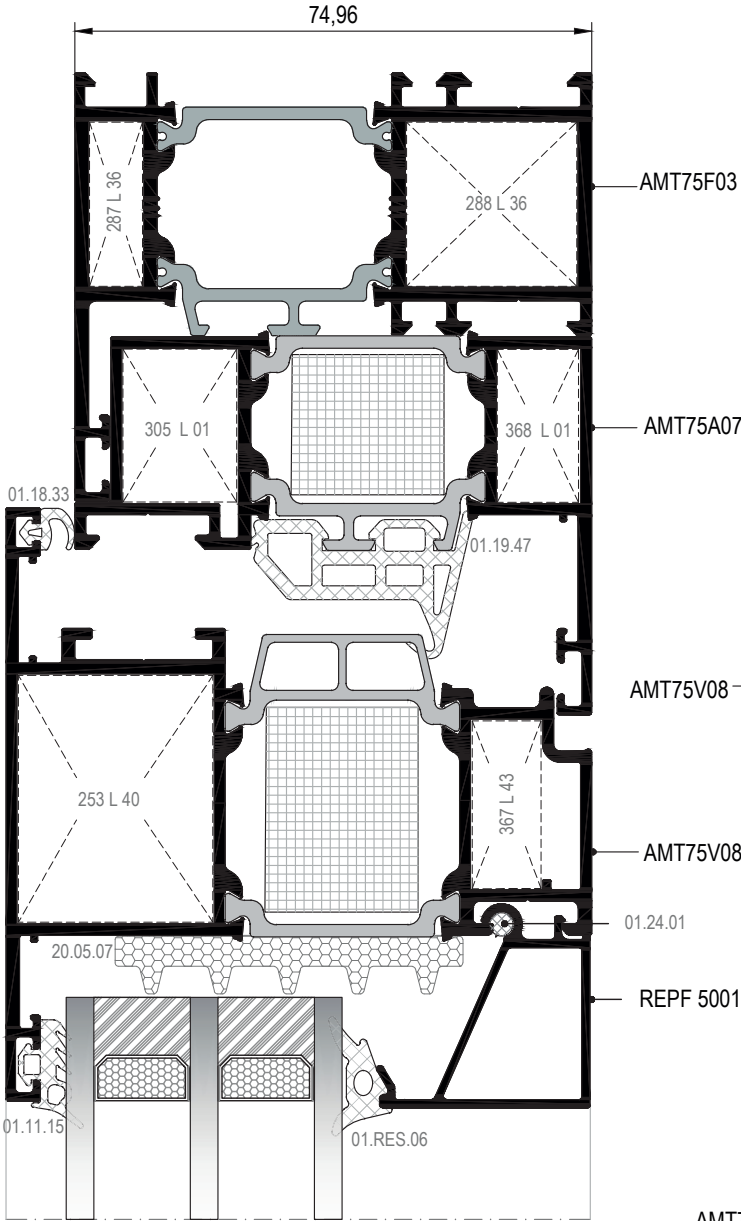
08

09

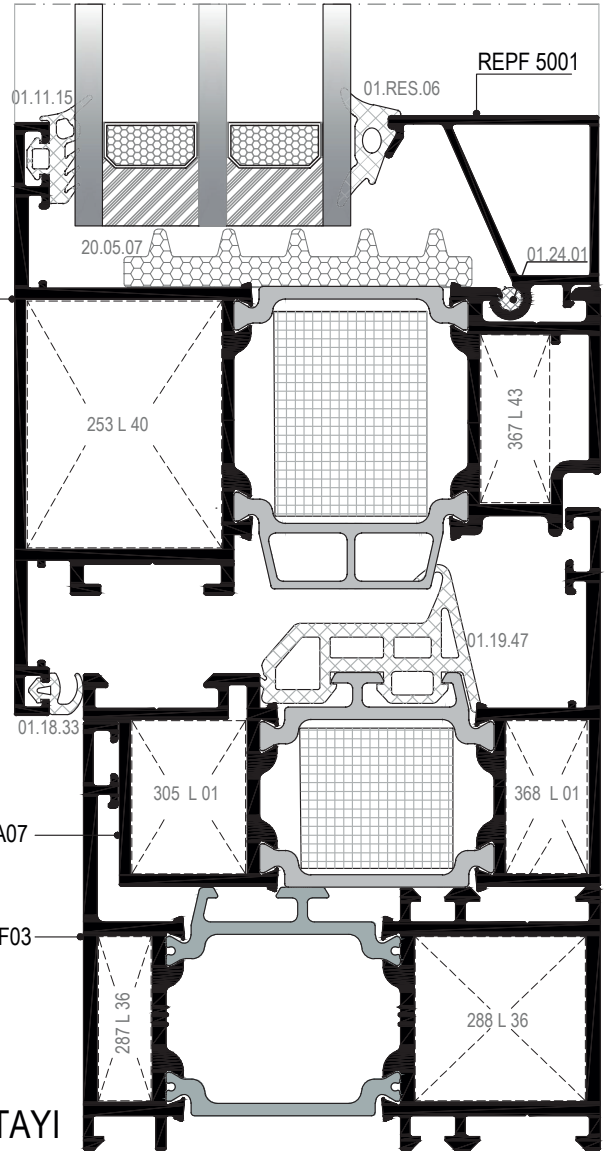
10

11

12

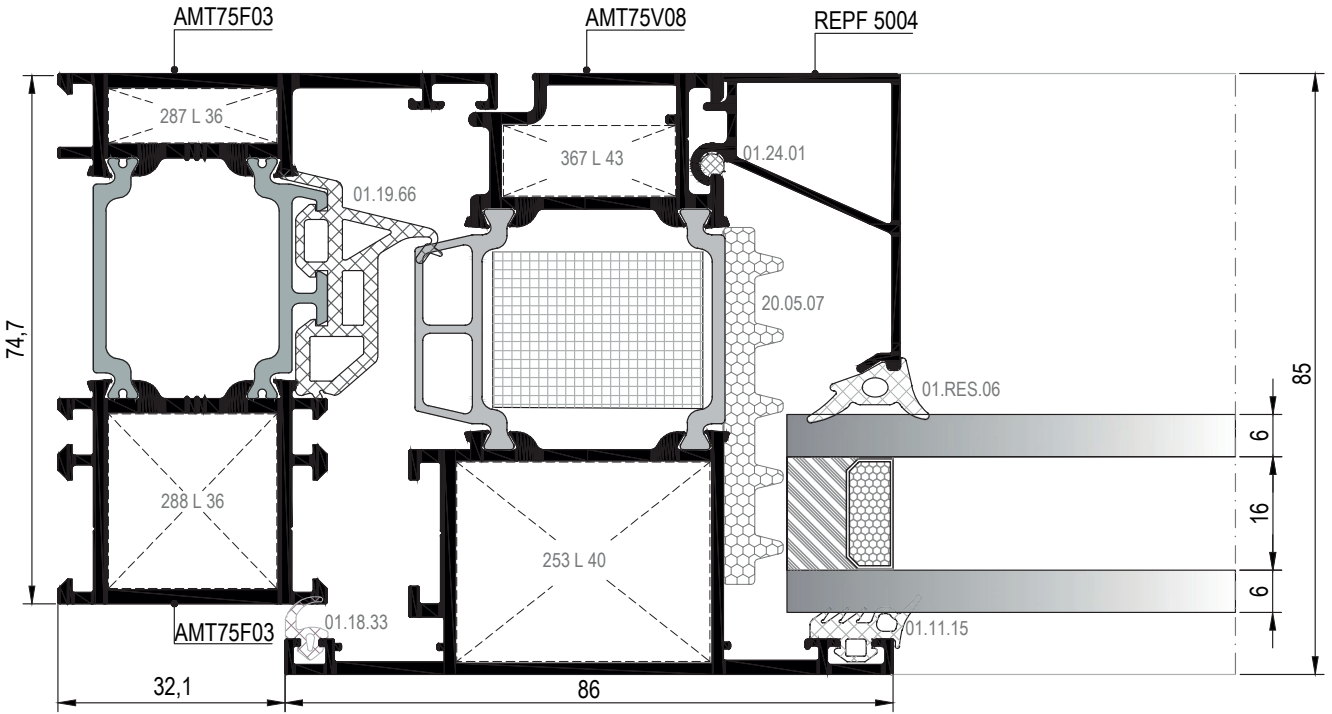
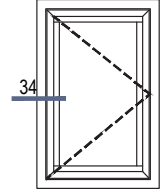


32 DETAYI  
DETAIL



33 DETAYI  
DETAIL

DIŐA AÇILIM ADAPTÖRSÜZ PENCERE DETAYI  
OUTWARD OPENING WINDOW DETAIL



34 DETAYI  
DETAIL

01

02

03

04

05

06

07

08

09

10

11

12



# MİMARİ KATALOG ARCHITECTURAL CATALOGUE

Alüminyum Kapı Pencere ve Giydirme Cephe Sistemleri  
Aluminium Door Window and Facade Systems

# RWT75

AKSESUARLAR

ACCESSORIES

01

02

03

04

05

06

07


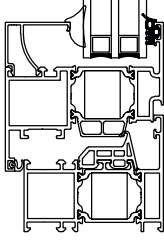

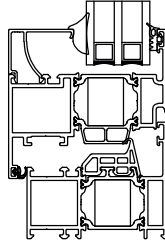

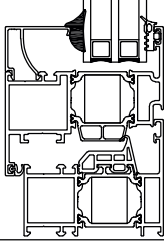

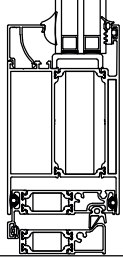

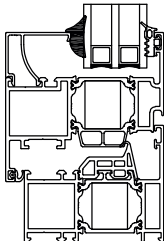
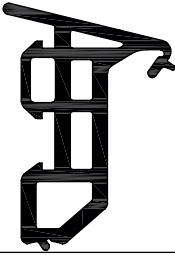
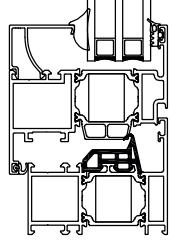

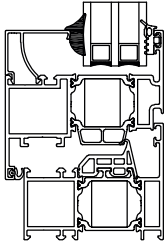

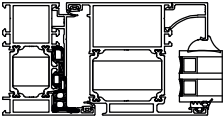

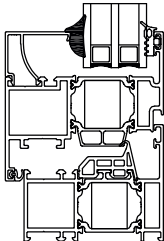

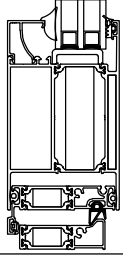

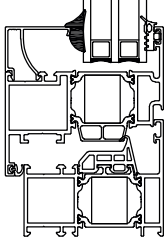
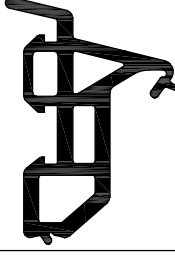
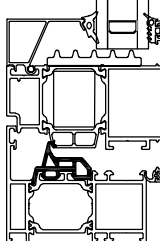

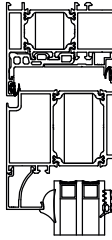

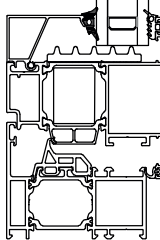
08

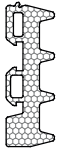
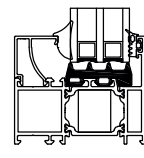
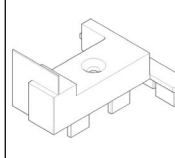
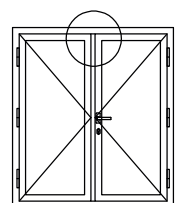
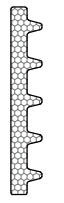
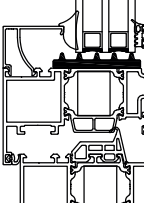
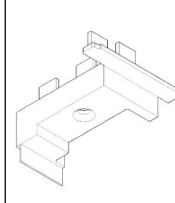
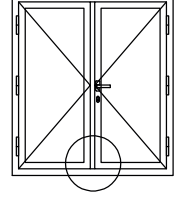

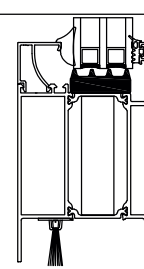
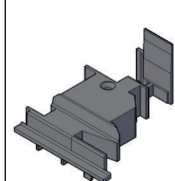
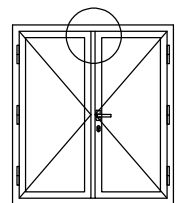
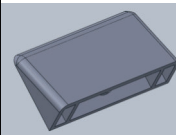
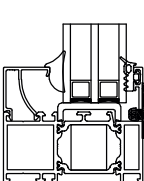
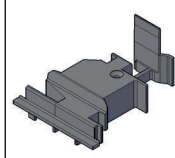
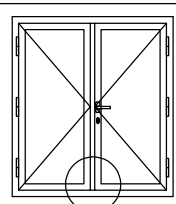
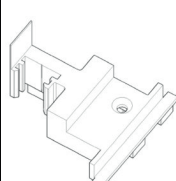
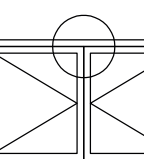

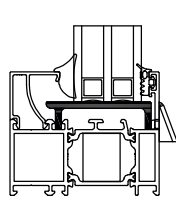
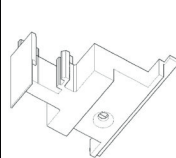
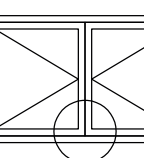

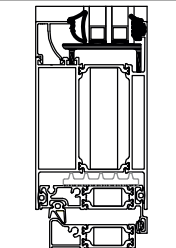
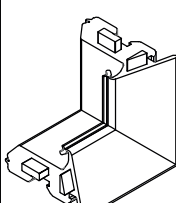
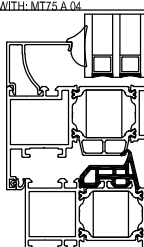
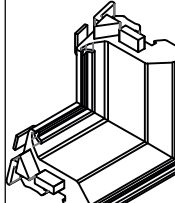
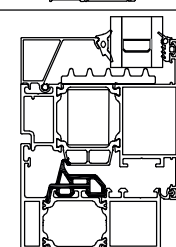
09

10

11

12

01		<b>01.11.15</b> DİŞ CAM FİTİLİ 4 mm OUTSIDE GLAZING GASKET 4 mm  Malzeme / Material : EPDM Ağırlık / Weight : 76 gr/m Paket / Package : 197 m / 15 kg			<b>01.18.33</b> İÇ BİNLİ FİTİLİ ACOUSTICAL GASKET  Malzeme / Material : EPDM Ağırlık / Weight : 30 gr/m Paket / Package : 500m / 15 kg	
02						
03		<b>01.17.05</b> İÇ CAM FİTİLİ 4,6 mm INSIDE GLAZING GASKET 4,6 mm  Malzeme / Material : EPDM Ağırlık / Weight : 89 gr/m Paket / Package : 168 m / 15 kg			<b>01.19.33</b> ADAPTÖR FİTİLİ ADAPTER GASKET  Malzeme / Material : EPDM Ağırlık / Weight : 42 gr/m Paket / Package : 357,1 m / 15 kg	
04						
05		<b>01.17.14</b> İÇ CAM FİTİLİ INSIDE GLAZING GASKET  Malzeme / Material : EPDM Ağırlık / Weight : 100 gr/m Paket / Package : 150 m / 15 kg			<b>01.19.47</b> ADAPTÖR FİTİLİ ADAPTER GASKET  Malzeme / Material : EPDM Ağırlık / Weight : 290 gr/m Paket / Package : 51m / 15 kg	
06						
07		<b>01.17.15</b> İÇ CAM FİTİLİ INSIDE GLAZING GASKET  Malzeme / Material : EPDM Ağırlık / Weight : 118 gr/m Paket / Package : 127m / 15 kg			<b>01.19.48</b> ADAPTÖR FİTİLİ ADAPTER GASKET  Malzeme / Material : EPDM Ağırlık / Weight : 300 gr/m Paket / Package : 50m / 15 kg	
08				Ölçek/Scale:1/2		
09		<b>01.17.20</b> İÇ CAM FİTİLİ INSIDE GLAZING GASKET  Malzeme / Material : EPDM Ağırlık / Weight : 52 gr/m Paket / Package : 288 m / 15 kg			<b>01.20.06</b> EŞİK FİTİLİ THRESHOLD GASKET  Malzeme / Material : EPDM Ağırlık / Weight : 86 gr/m Paket / Package : 174m / 15 kg	
10						
11		<b>01.17.21</b> İÇ CAM FİTİLİ INSIDE GLAZING GASKET  Malzeme / Material : EPDM Ağırlık / Weight : 155 gr/m Paket / Package : 96 m / 15 kg			<b>01.19.66</b> ADAPTÖR FİTİLİ ADAPTER GASKET  Malzeme / Material : EPDM Ağırlık / Weight : 254 gr/m Paket / Package : 59m / 15 kg	
12		<b>01.18.32</b> BİNLİ FİTİLİ ACOUSTICAL GASKET  Malzeme / Material : EPDM Ağırlık / Weight : 35 gr/m Paket / Package : 428m / 15 kg			<b>01.RES.06</b> ADAPTÖR FİTİLİ ADAPTER GASKET  Malzeme / Material : EPDM Ağırlık / Weight : 74 gr/m Paket / Package : 202m / 15 kg	

	<b>20.05.06</b> YALITIM ELEMANI INSULATION PIECE Malzeme / Material : EPDM KÖPÜK			<b>04.06.64</b> ADAPTÖR KAPAĞI (ÜST) ADAPTER CAP (UP) Malzeme / Material : PVC Renk / Colour : Siyah / Black	 UYGULANILAN PROFİL: MT75 DA 01 ve DA 02 USE WITH: MT75 DA 01 ve DA 02
	<b>20.05.07</b> YALITIM ELEMANI INSULATION PIECE Malzeme / Material : EPDM KÖPÜK			<b>04.06.65</b> ADAPTÖR KAPAĞI (ALT) ADAPTER CAP (DOWN) Malzeme / Material : PVC Renk / Colour : Siyah / Black	 UYGULANILAN PROFİL: MT75 DA 01 ve DA 02 USE WITH: MT75 DA 01 ve DA 02
	<b>20.05.08</b> YALITIM ELEMANI INSULATION PIECE Malzeme / Material : EPDM KÖPÜK			<b>04.06.82</b> ADAPTÖR KAPAĞI (ÜST) ADAPTER CAP (UP) Malzeme / Material : PVC Renk / Colour : Siyah / Black	 UYGULANILAN PROFİL: AMT75A05 USE WITH: AMT75A05
	<b>04.02.07</b> TAHLİYE KAPAĞI DRAINAGE COVER Malzeme / Material : PVC Renk / Colour : Siyah-Beyaz-Gri Black-White-Grey			<b>04.06.83</b> ADAPTÖR KAPAĞI (ALT) ADAPTER CAP (DOWN) Malzeme / Material : PVC Renk / Colour : Siyah / Black	 UYGULANILAN PROFİL: AMT75A05 USE WITH: AMT75A05
	<b>04.06.62</b> ADAPTÖR KAPAĞI (ÜST) ADAPTER CAP (UP) Malzeme / Material : PVC Renk / Colour : Siyah / Black	 UYGULANILAN PROFİL: MT75 A 04 USE WITH: MT75 A 04	 Ölçek/Scale: 1/2	<b>11.02.36</b> CAM TAKOZU GLASS SUPPORT Malzeme / Material : PVC Renk / Color : Siyah / Black	
	<b>04.06.63</b> ADAPTÖR KAPAĞI (ALT) ADAPTER CAP (DOWN) Malzeme / Material : PVC Renk / Colour : Siyah / Black	 UYGULANILAN PROFİL: MT75 A 04 USE WITH: MT75 A 04	 Ölçek/Scale: 1/2	<b>11.02.37</b> CAM TAKOZU GLASS SUPPORT Malzeme / Material : PVC Renk / Color : Siyah / Black	
	<b>03.11.03</b> KÖŞE ENJEKSİYON FİTİLİ CORNER GASKET Malzeme / Material : EPDM 01.19.47 İÇİN / FOR 01.19.47			<b>03.11.05</b> KÖŞE ENJEKSİYON FİTİLİ CORNER GASKET Malzeme / Material : EPDM 01.19.66 İÇİN / FOR 01.19.66	

01

02

03

04

05

06

07

08

09

10

11

12

## PENCERE MENTEŞELERİ / WINDOW HINGES

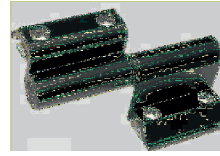


### 15.01.16

GIESSE PENCERE MENTEŞESİ  
GIESSE HINGE FOR WINDOWS

Renk / Colour : Siyah-Beyaz-Gri-Eloksal  
Black-White-Grey-Anodised

75 kg için 2 adet, 85 kg için 3 adet kullanılmalıdır. / Should be used 2 for 75 kg, 3 for 85 kg.  
EN 1935:2002

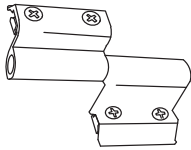


### 15.01.03

RESCARA PENCERE MENTEŞESİ  
RESCARA HINGE FOR WINDOWS

Renk / Colour : Pres-Eloksal  
Press-Anodised

75 kg için 2 adet, 85 kg için 3 adet kullanılmalıdır. / Should be used 2 for 75 kg, 3 for 85 kg.  
EN 1935:2002

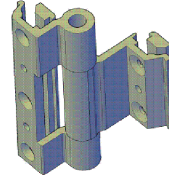


### 15.01.08

YERLİ PENCERE MENTEŞESİ  
LOCAL HINGE FOR WINDOWS

Renk / Colour : Siyah-Beyaz-Gri-Eloksal  
Black-White-Grey-Anodised

50 kg için 2 adet kullanılmalıdır. / Should be used 2 for 50 kg.  
Max. kanat ölçüsü 900x1300 / Max. vent dimension 900x1300  
TS EN 1935



### 15.01.12

YERLİ PENCERE MENTEŞESİ  
LOCAL HINGE FOR WINDOWS

Renk / Colour : Siyah-Beyaz-Gri-Eloksal  
Black-White-Grey-Anodised

TS EN 1935



### 15.01.17

GIESSE GİZLİ PENCERE MENTEŞESİ (SAĞ)  
GIESSE HIDDEN HINGE FOR WINDOWS (RIGHT)

Malzeme / Material : Paslanmaz Çelik  
Stainless Steel

100 kg için 2 adet kullanılmalıdır. / Should be used 2 for 100 kg.

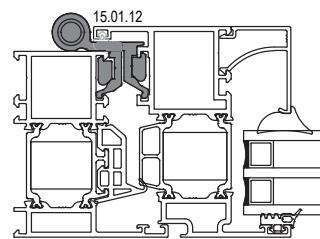
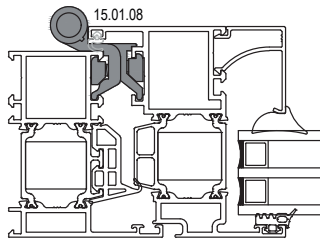
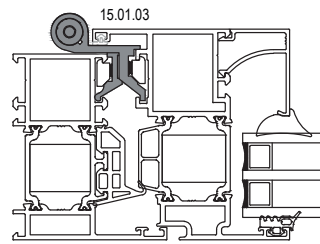
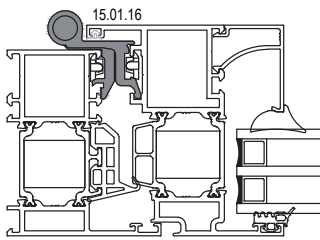


### 15.01.18

GIESSE GİZLİ PENCERE MENTEŞESİ (SOL)  
GIESSE HIDDEN HINGE FOR WINDOWS (LEFT)

Malzeme / Material : Paslanmaz Çelik  
Stainless Steel

100 kg için 2 adet kullanılmalıdır. / Should be used 2 for 100 kg.





## KAPI MENTEŞELERİ / DOOR HINGES



15.02.14

GIESSE KAPI MENTEŞESİ  
GIESSE HINGE FOR DOORS

Renk / Colour : Siyah-Beyaz-Eloksal  
Black-White-Anodised

100 kg için 2 adet, 120 kg için 3 adet kullanılmalıdır. / Should be used 2 for 100 kg, 3 for 120 kg.  
EN 1935

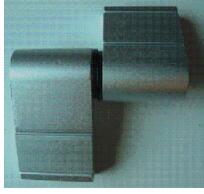


15.02.09

YERLİ KAPI MENTEŞESİ  
LOCAL HINGE FOR DOORS

Renk / Colour : Siyah-Beyaz-Gri-Eloksal  
Black-White-Grey-Anodised

85 kg için 3 adet kullanılmalıdır. / Should be used 3 for 85 kg.  
Max. kanat ölçüsü 900x2200 / Max. vent dimension 900x2200  
TS EN 1935



15.02.07

YERLİ KAPI MENTEŞESİ  
LOCAL HINGE FOR DOORS

Renk / Colour : Siyah-Beyaz-Gri-Eloksal  
Black-White-Grey-Anodized

100 kg için 2 adet kullanılmalıdır. / Should be used 2 for 100 kg.  
Max. kanat ölçüsü 900x2200 / Max. vent dimension 900x2200  
TS EN 1935

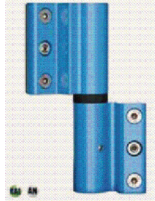


15.02.20

RESCARA KAPI MENTEŞESİ  
RESCARA HINGE FOR DOORS

Renk / Colour : Siyah-Beyaz-Gri-Press-Eloksal  
Black-White-Grey-Press-Anodized

120 kg için 2 adet kullanılmalıdır. / Should be used 2 for 120 kg.  
TS EN 1935



15.02.21

RESCARA KAPI MENTEŞESİ  
RESCARA HINGE FOR DOORS

Renk / Colour : Siyah-Beyaz-Gri-Press-Eloksal  
Black-White-Grey-Press-Anodized

160 kg için 2 adet kullanılmalıdır. / Should be used 2 for 160 kg.  
TS EN 1935



15.02.18

GIESSE KAPI MENTEŞESİ  
GIESSE DOMINA HINGE FOR DOORS

Renk / Colour : Siyah-Beyaz-Eloksal  
Black-White-Anodised

160 kg için 2 adet, 180 kg için 3 adet kullanılmalıdır. / Should be used 2 for 160 kg, 3 for 180 kg.  
EN 1935

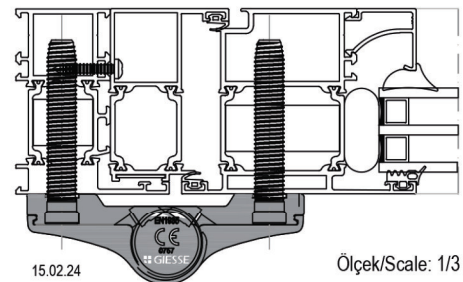
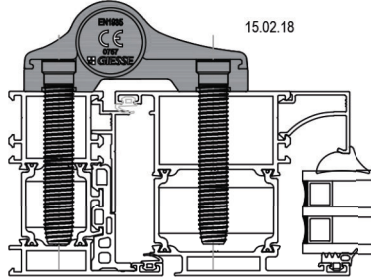
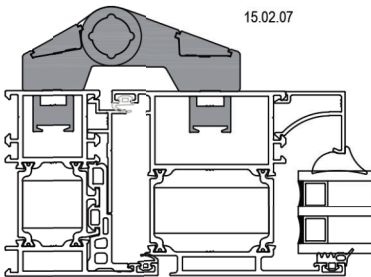
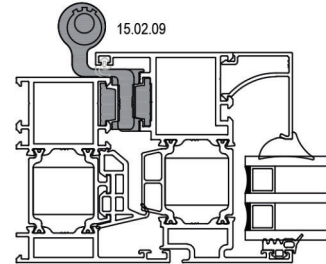
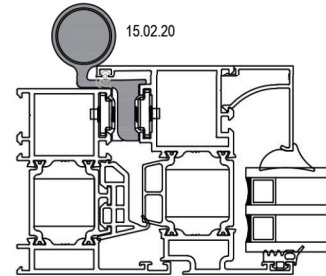


15.02.24

GIESSE KAPI MENTEŞESİ  
GIESSE DOMINA HINGE FOR DOORS

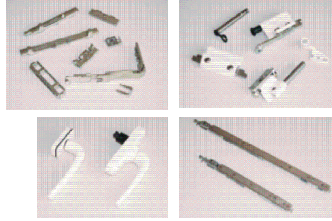
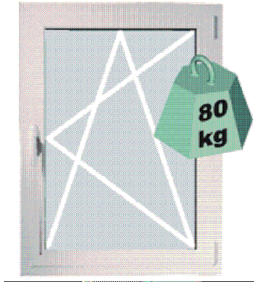
Renk / Colour : Siyah-Beyaz-Eloksal  
Black-White-Anodised

160 kg için 2 adet, 180 kg için 3 adet kullanılmalıdır. / Should be used 2 for 160 kg, 3 for 180 kg.  
EN 1935



Ölçek/Scale: 1/3

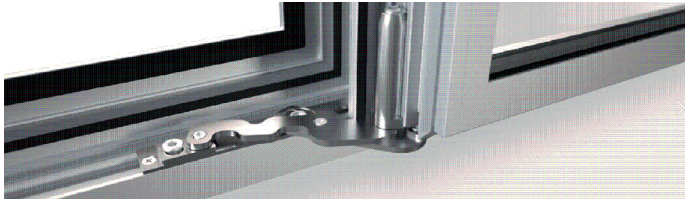
ÇİFT EKSEN MEKANİZMALAR / TILT & TURN MECHANISM



GIESSE FUTURA ÇİFT AÇILIM SETİ 80 kg  
GIESSE FUTURA TILT & TURN MECHANISM 80 kg

Renk / Colour : Siyah-Beyaz-Gri  
Black-White-Grey

KANAT GENİŞLİĞİ SASH WIDTH	KANAT YÜKSEKLİĞİ SASH HEIGHT	KANAT AĞIRLIĞI SASH WEIGHT	GIESSE ÇİFT AÇILIM SETİ GIESSE TILT & TURN MECHANISM	ÇİFT AÇILIM SETİ TILT & TURN MECHANISM
410- 569 mm	600-1200 mm	80 kg	07.06.62	Çift Açılım Seti Tip 1 / Tilt & Turn Mechanism
410- 569 mm	1201-2500 mm	80 kg	07.06.63	Çift Açılım Seti Tip 1 + Arka Kilitleme / Tilt & Turn Mechanism Style 1+ Additional Tilt&Turn (Back)
570-1000 mm	600-1200 mm	80 kg	07.06.64	Çift Açılım Seti Tip 2 / Tilt & Turn Mechanism Style 2
570-1000 mm	1201-2500 mm	80 kg	07.06.65	Çift Açılım Seti Tip 2 + Arka Kilitleme / Tilt & Turn Mechanism Style 2+ Additional Tilt&Turn (Back)
1001-1700 mm	600-1200 mm	80 kg	07.06.66	Çift Açılım Seti Tip 2 + Alt Kilitleme +İlave Makas / Tilt & Turn Mechanism Style 2 + Additional Tilt&Turn (Down)+ Additional Arm
1001-1700 mm	1201-2500 mm	80 kg	07.06.67	Çift Açılım Seti Tip 2 + Alt Kilitleme +Arka Kilitleme+İlave Makas / Tilt & Turn Mechanism Style 2+ Additional Tilt&Turn (Down)+ Additional Tilt&Turn (Back)+ Additional Arm

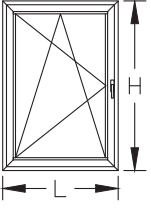
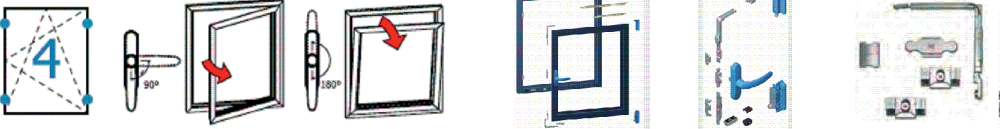


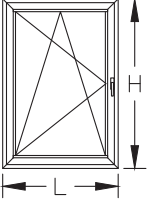
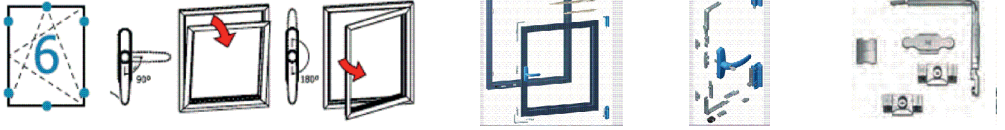
GIESSE GİZLİ MENTEŞE ÇİFT AÇILIM SETİ 100 kg  
GIESSE HIDDEN HINGE TILT & TURN MECHANISM 100 kg

Renk / Colour : Siyah-Beyaz-Gri  
Black-White-Grey

KANAT GENİŞLİĞİ SASH WIDTH	KANAT YÜKSEKLİĞİ SASH HEIGHT	KANAT AĞIRLIĞI SASH WEIGHT	GIESSE ÇİFT AÇILIM SETİ GIESSE TILT & TURN MECHANISM	GIESSE GİZLİ MENTEŞE ÇİFT AÇILIM SETİ GIESSE HIDDEN HINGE TILT & TURN MECHANISM
600-1000 mm	600-1200 mm	100 kg	07.06.81	Gizli Menteşe Çift Açılım Seti Sağ /Hidden Hinge Tilt & Turn Mechanism Right
600-1000 mm	600-1200 mm	100 kg	07.06.82	Gizli Menteşe Çift Açılım Seti Sol /Hidden Hinge Tilt & Turn Mechanism Left
600-1000 mm	1201-2500 mm	100 kg	07.06.83	Gizli Menteşe Çift Açılım Seti Sağ+İlave Kilit /Hidden Hinge Tilt & Turn Mechanism Right+ Additional Locking
600-1000 mm	1201-2500 mm	100 kg	07.06.84	Gizli Menteşe Çift Açılım Seti Sol+İlave Kilit /Hidden Hinge Tilt & Turn Mechanism Left+ Additional Locking
1001-1700 mm	600-1200 mm	100 kg	07.06.85	Gizli Menteşe Çift Açılım Seti Sağ+İlave Kilit /Hidden Hinge Tilt & Turn Mechanism Right+ Additional Locking
1001-1700 mm	600-1200 mm	100 kg	07.06.86	Gizli Menteşe Çift Açılım Seti Sol+İlave Kilit /Hidden Hinge Tilt & Turn Mechanism Left+ Additional Locking
1001-1700 mm	1201-2500 mm	100 kg	07.06.87	Gizli Menteşe Çift Açılım Seti Sağ+İlave Kilit (2 Adet) /Hidden Hinge Tilt & Turn Mechanism Right+ Additional Locking (2 Unit)
1001-1700 mm	1201-2500 mm	100 kg	07.06.88	Gizli Menteşe Çift Açılım Seti Sol+İlave Kilit (2 Adet) /Hidden Hinge Tilt & Turn Mechanism Left+ Additional Locking (2 Unit)

ÇİFT EKSEN MEKANİZMALARI / TILT & TURN MECHANISM

	<p>RESCARA ÇİFT AÇILIM SETİ 130 kg RESCARA TILT &amp; TURN MECHANISM 130 kg Renk / Colour : Siyah-Beyaz-Gri Black-White-Grey</p>					
						
KANAT GENİŞLİĞİ SASH WIDTH L (m)	KANAT YÜKSEKLİĞİ SASH HEIGHT H (m)	KANAT AĞIRLIĞI SASH WEIGHT KG	MEKANİZMA MECHANISM	MAKAS ARM	İLAVE KİLİTLEME ADDITIONAL LOCKING	İLAVE MAKAS ADDITIONAL ARM
563-1000 mm	600-1200 mm	130 kg	07.06.79	07.06.80	—	—
563-1000 mm	1200-2500 mm	130 kg	07.06.79	07.06.80	07.06.76	—
1000-1700 mm	600-1200 mm	130 kg	07.06.79	07.06.80	07.06.76	07.06.77
1000-1700 mm	1200-2500 mm	130 kg	07.06.79	07.06.80	07.06.76 (2 ADET)	07.06.77

	<p>RESCARA AKILLI ÇİFT AÇILIM SETİ 130 kg RESCARA TBT TILT &amp; TURN MECHANISM 130 kg Renk / Colour : Siyah-Beyaz-Gri Black-White-Grey KOL ANAHTARLIDIR / HANDLE WITH KEYLOCK</p>					
						
KANAT GENİŞLİĞİ SASH WIDTH L (m)	KANAT YÜKSEKLİĞİ SASH HEIGHT H (m)	KANAT AĞIRLIĞI SASH WEIGHT KG	MEKANİZMA MECHANISM	MAKAS ARM	İLAVE KİLİTLEME ADDITIONAL LOCKING	İLAVE MAKAS ADDITIONAL ARM
563-1000 mm	600-1200 mm	130 kg	07.06.74 (TBT)	07.06.75 (TBT)	—	—
563-1000 mm	1200-2500 mm	130 kg	07.06.74 (TBT)	07.06.75 (TBT)	07.06.76	—
1000-1700 mm	600-1200 mm	130 kg	07.06.74 (TBT)	07.06.75 (TBT)	—	07.06.77
1000-1700 mm	1200-2500 mm	130 kg	07.06.74 (TBT)	07.06.75 (TBT)	07.06.76	07.06.77

PVC KANAL İÇİN AÇILIM SETLERİ / OPENING SETS FOR PVC CHANNEL



07.05.41

RESCARA AKUSTİK PENCERE KOLU  
RESCARA ACOUSTIC HANDLE

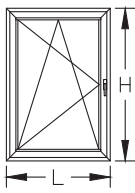
Renk / Colour : Siyah-Beyaz-Gri  
Black-White-Grey



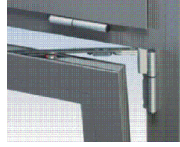
07.05.42

RESCARA AKUSTİK PENCERE KOLU  
RESCARA ACOUSTIC HANDLE

Renk / Colour : Siyah-Beyaz-Gri  
Black-White-Grey



PVC KANALLI ÇİFT AÇILIM SETİ 80 kg  
TILT & TURN MECHANISM FOR PVC CHANNEL 80 kg  
Renk / Colour : Siyah-Beyaz-Gri  
Black-White-Silver



KANAT GENİŞLİĞİ SASH WIDTH L (mt)	KANAT YÜKSEKLİĞİ SASH HEIGHT H (mt)	KANAT AĞIRLIĞI SASH WEIGHT (KG)	SAĞ RIGHT	SOL LEFT
501-750 mm	951-1450 mm	80 kg	07.30.01	07.30.02
501-750 mm	1451-1950 mm	80 kg	07.30.05	07.30.06
501-750 mm	1951-2450 mm	80 kg	07.30.07	07.30.08
751-1000 mm	951-1450 mm	80 kg	07.30.09	07.30.10
751-1000 mm	1451-1950 mm	80 kg	07.30.13	07.30.14
751-1000 mm	1951-2450 mm	80 kg	07.30.15	07.30.16
1001-1200 mm	951-1450 mm	80 kg	07.30.17	07.30.18
1001-1200 mm	1451-1950 mm	80 kg	07.30.21	07.30.22
1001-1200 mm	1951-2450 mm	80 kg	07.30.23	07.30.24
1201-1450 mm	951-1450 mm	80 kg	07.30.25	07.30.26
1201-1450 mm	1451-1950 mm	80 kg	07.30.29	07.30.30
1201-1450 mm	1951-2450 mm	80 kg	07.30.31	07.30.32
1451-1600 mm	951-1450 mm	80 kg	07.30.33	07.30.34
1451-1600 mm	1451-1950 mm	80 kg	07.30.37	07.30.38
1451-1600 mm	1951-2450 mm	80 kg	07.30.39	07.30.40



PVC KANALLI TEK AÇILIM SETİ 80 kg  
SIDE HUNG OPENING SET FOR PVC CHANNEL 80 kg  
Renk / Colour : Siyah-Beyaz-Gri  
Black-White-Silver



KANAT YÜKSEKLİĞİ SASH HEIGHT H (mt)	KANAT AĞIRLIĞI SASH WEIGHT (KG)	SAĞ RIGHT	SOL LEFT
501-600 mm	80 kg	07.27.01	07.27.02
601-800 mm	80 kg	07.27.03	07.27.04
801-900 mm	80 kg	07.27.05	07.27.06
901-1000 mm	80 kg	07.27.07	07.27.08
1001-1100 mm	80 kg	07.27.09	07.27.10
1101-1200 mm	80 kg	07.27.11	07.27.12
1201-1300 mm	80 kg	07.27.13	07.27.14
1301-1400 mm	80 kg	07.27.15	07.27.16
1401-1600 mm	80 kg	07.27.17	07.27.18
1601-1800 mm	80 kg	07.27.19	07.27.20
1801-2000 mm	80 kg	07.27.21	07.27.22
2000-2200 mm	80 kg	07.27.23	07.27.24

\*\*KOL SETE DAHİL DEĞİLDİR.KOL SEÇENEKLERİ; 07.05.41 - 07.05.42  
HANDLE IS NOT INCLUDED IN THE SET.HANDLE OPTIONS; 07.05.41 - 07.05.42

\*\*PVC KANALLI TEK AÇILIM SETİ İÇİN KANAT GENİŞLİĞİ L<1000MM OLMALIDIR.  
DAHA BÜYÜK ÖLÇÜLER İÇİN TEKNİK OFİS İLE İRTİBATA GEÇİLEBİLİR.  
PERIMETRIC GROOVE (16MM) SIDE HUNG OPENING KIT FOR L<1000MM. FOR L>1000MM PLEASE CONTACT TECHNICAL OFFICE.

## PENCERE KOLLARI / WINDOW HANDLES

<p>07.05.25 GIESSE İSPANYOLET KOL (ÇİFT DİLLİ) GIESSE HANDLE FOR WINDOWS (DOUBLE RAIL) Renk / Colour : Siyah-Beyaz-Gri Black-White-Grey</p> <p>UNI CEI EN ISO / IEC 17050</p>	<p>07.05.33 GIESSE ANAHTARLI İSPANYOLET KOL (ÇİFT DİLLİ) GIESSE KEY HANDLE FOR WINDOWS (DOUBLE RAIL) Renk / Colour : Siyah-Beyaz-Gri Black-White-Grey</p>
<p>07.25.01 GIESSE TIJ BAĞLANTI PARÇASI GIESSE CONNECTION ROD Renk / Colour : Siyah / Black Malzeme / Material : Polyamid / Polyamide</p> <p>07.05.25 , 07.05.33 ve 07.05.34 Kol için / For Handle 07.05.25 , 07.05.33 and 07.05.34</p>	<p>07.05.34 GIESSE SÖKÜLEBİLİR KOL GÖVDESİ (ÇİFT DİLLİ) GIESSE REMOVABLE HANDLE BODY (DOUBLE RAIL) Renk / Colour : Siyah-Beyaz-Gri Black-White-Grey</p>
<p>07.05.29 RESCARA GLOBAL ANAHTARLI PENCERE KOLU (TEK DİLLİ) RESCARA GLOBAL KEY HANDLE FOR WINDOWS (SINGLE RAIL) Renk / Colour : Siyah-Beyaz-Gri Black-White-Grey</p> <p>EN 1670</p>	<p>07.05.35 GIESSE SÖKÜLEBİLİR KOL GIESSE REMOVABLE HANDLE Renk / Colour : Siyah Black</p>
<p>07.13.07 RESCARA KOL BAĞLANTI PARÇASI RESCARA CONNECTION PART FOR HANDLE Malzeme / Material : Zamak / Zamak</p> <p>07.05.28, 07.05.29 Kol için / For Handle 07.05.28, 07.05.29</p>	<p>07.05.30 RESCARA GLOBAL SÖKÜLEBİLİR KOL GÖVDESİ (ÇİFT DİLLİ) RESCARA GLOBAL REMOVABLE HANDLE BODY (DOUBLE RAIL) Renk / Colour : Siyah-Beyaz-Gri Black-White-Grey</p> <p>EN 1670</p>
<p>07.05.28 RESCARA GLOBAL PENCERE KOLU (TEK DİLLİ) RESCARA GLOBAL HANDLE FOR WINDOWS (SINGLE RAIL) Renk / Colour : Siyah-Beyaz-Gri Black-White-Grey</p> <p>EN 1670</p>	<p>07.05.31 RESCARA SÖKÜLEBİLİR KOL RESCARA REMOVABLE HANDLE Renk / Colour : Siyah / Black</p> <p>EN 1670</p>
<p>07.05.32 RESCARA GLOBAL PENCERE KOLU (ÇİFT DİLLİ) RESCARA GLOBAL HANDLE FOR WINDOWS (DOUBLE RAIL) Renk / Colour : Siyah-Beyaz-Gri Black-White-Grey</p> <p>EN 1670, 13126-8</p>	<p>07.13.08 RESCARA KOL BAĞLANTI PARÇASI RESCARA CONNECTION PART FOR HANDLE Renk / Colour : Siyah / Black Malzeme / Material : PVC</p> <p>07.05.30, 07.05.32 Kol için / For Handle 07.05.30, 07.05.32</p>

01

02

03

04

05

06

07

08

09

10

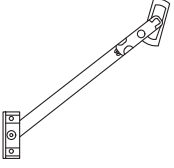
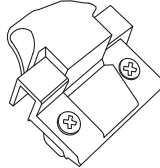


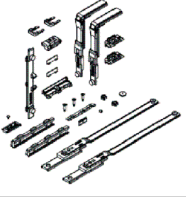

11

12



## İSPANYOLET KİLİTLEME PARÇALARI / LOCKING KITS

01	 <p><b>07.13.03</b> PİM LOCK PIN Malzeme / Material : Zamak / Zamak</p>	 <p><b>07.13.06</b> GIESSE PİM GIESSE ADJUSTABLE LOCKING PAWL Malzeme / Material : Zamak / Zamak</p>
02		
03	 <p><b>07.09.07</b> GIESSE AYARLI PİM KARŞILIĞI GIESSE ADJUSTABLE SINGLE STRIKER Malzeme / Material : Zamak / Zamak</p>	 <p><b>07.09.08</b> GIESSE ARKA KİLİTLEME GIESSE BURGLAR BOLT Malzeme / Material : Zamak / Zamak</p>
04		
05	 <p><b>18.07.02</b> GIESSE PASİF KANAT SÜRGÜ SETİ GIESSE BOLT FOR PASSIVE LEAF Malzeme / Material : Zamak ve polyamid Zamak and polyamide</p>	 <p><b>07.09.11</b> RESCARA SABİT KARŞILIK RESCARA FIXED STRIKER Malzeme / Material : Zamak / Zamak</p>
06		
07		
08	 <p><b>07.09.12</b> RESCARA AYARLI KARŞILIK RESCARA ADJUSTABLE STRIKER Malzeme / Material : Zamak / Zamak</p>	 <p><b>07.09.13</b> RESCARA ARKA KİLİTLEME RESCARA BURGLAR BOLT Malzeme / Material : Zamak / Zamak</p>
09		
10	 <p><b>07.21.02</b> GIESSE KÖŞE DÖNME GIESSE CORNER DRIVE Malzeme / Material : Zamak / Zamak</p>	 <p><b>07.21.03</b> RESCARA KÖŞE DÖNME RESCARA CORNER DRIVE Malzeme / Material : Zamak / Zamak</p>
11		
12	 <p><b>07.06.78</b> RESCARA MİCROVENTİLASYON RESCARA MICROVENTILATION Malzeme / Material : Zamak/ Zamak</p>	

 <p><b>07.07.02</b> VASİSTAS MAKAS ARM FOR BOTTOM-HUNG WINDOWS Renk / Colour : Siyah-Beyaz-Gri Black-White-Grey</p>	 <p><b>07.08.01</b> RESCARA VASİSTAS MANDAL RESCARA DEVICE FOR CLOSING BOTTOM-HUNG WINDOWS Renk / Colour : Siyah-Beyaz-Gri Black-White-Grey</p>
 <p><b>07.07.08</b> SINIRLAYICI MAKAS LIMITER Malzeme / Material : Gümüş- Paslanmaz Çelik Silver - Stainless Steel</p>	 <p><b>07.07.09</b> GIESSE VASİSTAS MAKAS GIESSE ARM FOR BOTTOM-HUNG WINDOWS Renk / Colour : Siyah-Beyaz-Gri Black-White-Grey</p>
 <p><b>07.07.11</b> GIESSE VASİSTAS PENCERE SETİ GIESSE BOTTOM HUNG WINDOW SET Kol ve menteşe sete dahil değildir. Handle and hinge is not included in the set</p>	 <p><b>11.02.34</b> RESCARA KANAT DESTEK TAKOZU RESCARA VENT SUPPORT PIECE Malzeme / Material : PVC Renk / Colour : Siyah/Black</p>

01

02

03

04

05

06

07

08

09

10

11








12





**ÇİFT DİLLİ KOL VE KİLİTLEME SETİ SEÇİM TABLOSU**  
DOUBLE RAILED HANDLE AND LOCKING KIT TABLE



KOD CODE	AÇIKLAMA DESCRIPTION	ÜRÜN RESMİ PRODUCT IMAGE	TEMELE SET MAIN SET		
			H<1200mm	L<1000mm	İLAVE ÜRÜNLER ADDITIONAL PRODUCTS
07.05.25	GIESSE ÇİFT DİLLİ KOL GIESSE DOUBLE RAIL HANDLE				
07.25.01	GIESSE KOL BAĞLANTISI GIESSE ROD CONNECTION PIECES				
07.13.06	GIESSE AYARLI PİM GIESSE ADJUSTABLE LOCKING PAWL				
07.09.11	RESCARA SABİT KARŞILIK RESCARA FIXED STRIKER				
07.09.07	GIESSE AYARLI PİM KARŞILIĞI GIESSE ADJUSTABLE SINGLE STRIKER				
07.21.02	GIESSE KÖŞE DÖNME GIESSE CORNER DRIVE				
11.02.34	RESCARA KANAT DESTEK TAKOZU RESCARA VENT SUPPORT PIECE				

\*\*\*Giesse kol ve kilitleme aksesuarları 25 I 07 tij profili ile kullanılmalıdır.  
Giesse handle and locking accessories should be used with 25 I 07 rod profile

TEK DİLLİ KOL VE KİLİTLEME SETİ SEÇİM TABLOSU SINGLE RAILED HANDLE AND LOCKING KIT TABLE					
			TEMELE SET MAIN SET	İLAVE ÜRÜNLER ADDITIONAL PRODUCTS	
KOD CODE	AÇIKLAMA DESCRIPTION	ÜRÜN RESMİ PRODUCT IMAGE	H<1200mm L<1000mm	1200mm < H < 2700 mm	1000mm < L < 1400 mm
07.05.28 07.05.29	RESCARA TEK DİLLİ KOL RESCARA SINGLE RAIL HANDLE		1		
07.13.07	RESCARA KOL BAĞLANTI PARÇASI RESCARA CONNECTION PART FOR HANDLE		1		
07.13.06	GIESSE AYARLI PİM GIESSE ADJUSTABLE LOCKING PAWL		2	2	2
07.09.11	RESCARA SABİT KARŞILIK RESCARA FIXED STRIKER		2	2	2
07.09.12	RESCARA AYARLI KARŞILIK RESCARA ADJUSTABLE STRIKER				2
07.21.03	RESCARA KÖŞE DÖNME RESCARA CORNER DRIVE				2
11.02.34	RESCARA KANAT DESTEK TAKOZU RESCARA VENT SUPPORT PIECE		1		

ÇİFT/TEK AÇILIM PASİF KANAT AKSESUAR SEÇİM TABLOSU SECONDARY SASH LOCKING KIT TABLE					
			TEMELE SET MAIN SET	İLAVE ÜRÜNLER ADDITIONAL PRODUCTS	
KOD CODE	AÇIKLAMA DESCRIPTION	ÜRÜN RESMİ PRODUCT IMAGE	H<1200mm L<1000mm	1200mm < H < 2700 mm	1000mm < L < 1400 mm
18.07.02	GIESSE SÜRGÜ SETİ GIESSE BOLT FOR SECONDARY SASH		1		
07.21.02	GIESSE KÖŞE DÖNME PARÇASI GIESSE CORNER DRIVE				2
07.09.07	GIESSE AYARLI PİM KARŞILIĞI GIESSE ADJUSTABLE SINGLE STRIKER				2
07.09.08	GIESSE ARKA KİLİTLEME GIESSE BURGLAR BOLT			1	

\*\*\*Giesse kol ve kilitleme aksesuarları 25 I 07 tij profili ile kullanılmalıdır.  
Giesse handle and locking accessories should be used with 25 I 07 rod profile



## PENCERE KOLLARI / WINDOW HANDLES

 <p><b>07.05.69</b> RESCARA AKUSTİK PENCERE KOLU RESCARA ACOUSTIC HANDLE Renk / Colour : Siyah-Beyaz-Gri Black-White-Grey</p>	 <p><b>07.05.70</b> RESCARA AKUSTİK PENCERE KOLU RESCARA ACOUSTIC HANDLE Renk / Colour : Siyah-Beyaz-Gri Black-White-Grey</p>
 <p><b>07.25.09</b> GIESSE ÇİFT YÖNLÜ MEKANİZMA GIESSE MECHANISMS Renk / Colour : Siyah / Black Malzeme / Material : Polyamid / Polyamide</p> <p>07.05.69 ve 07.05.70 Kol için / For Handle 07.05.69 and 07.05.70</p>	 <p><b>07.09.30</b> GIESSE AYARLI PİM KARŐILIĐI GIESSE ADJUSTABLE SINGLE STRIKER Malzeme / Material : Zamak / Zamak</p>
 <p><b>07.13.06</b> GIESSE PİM GIESSE ADJUSTABLE LOCKING PAWL Malzeme / Material : Zamak / Zamak</p>	 <p><b>11.02.41</b> GIESSE KASA İÇİ YÜKSELTME PARÇASI GIESSE Malzeme / Material : Zamak / Zamak</p>
 <p><b>07.09.08</b> GIESSE ARKA KİLİTLEME GIESSE BURGLAR BOLT Malzeme / Material : Zamak / Zamak</p>	 <p><b>07.07.24</b> GIESSE 5 KADEMELİ LAZER MAKAS GIESSE Malzeme / Material : Zamak / Zamak</p>
 <p><b>07.07.08</b> GIESSE KADEMESİZ AYARLI LİMİTLEME MAKASI GIESSE Malzeme / Material : Zamak / Zamak</p>	
 <p><b>07.09.24</b> GIESSE GÜVENLİK Lİ PİM VE KARŐILIK SETİ GIESSE Malzeme / Material : Zamak / Zamak</p>	

01

02

03

04

05

06

07

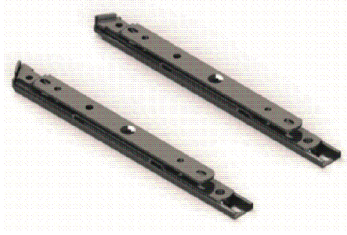
08

09

10

11

12



GIESE CEPHE MAKASLARI  
GIESE ARMS FOR CURTAIN WALL

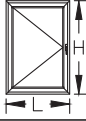
Malzeme / Material : Paslanmaz Çelik  
Stainless Steel

YANDAN DIŐA AÇILIR İÇİN / OUTWARD OPENING - SIDE HUNG

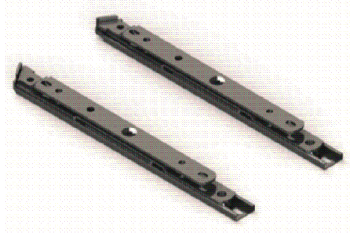
GIESE DIŐA AÇILIM MAKAS GIESE ARM FOR TOP HUNG	MAKAS BOYU ARM LENGTH	KANAT GENİŐLİĐİ SASH WIDTH (mm)	KANAT YÜKSEKLİĐİ SASH HEIGHT (mm)	KANAT AĐIRLIĐI SASH WEIGHT (Kg)	AÇMA DERECEŐİ OPENING ANGLE
07.03.71	10"	660	1500	35 kg	50°-84°
07.03.72	16"	700	1600	60 kg	30°
				42 kg	50°-90°

YANDAN DIŐA AÇILIR SETİ SEÇİM TABLOSU

TABLE SET OF OUTWARD OPENING - SIDE HUNG



		07.03.71 GIESE CEPHE MAKASI	07.03.72 GIESE CEPHE MAKASI	İLAVE ÜRÜNLER ADDITIONAL PRODUCTS
KOD CODE	AÇIKLAMA DESCRIPTION	L < 660mm H < 1500mm	660mm < L < 700mm 1500mm < H < 1600mm	H > 1200mm
07.05.69 07.05.70	PENCERE KOLU WINDOW HANDLE	1	1	
07.25.09	GIESE ÇİFT YÖNLÜ MEKANİZMA GIESE MECHANISMS	1	1	
11.02.41	GIESE KASA İÇİ YÜKSELTME PARÇASI GIESE	1	1	
07.09.30	GIESE AYARLI PİM KARŐILIĐI GIESE ADJUSTABLE SINGLE STRIKER	2	2	
07.13.06	GIESE PİM GIESE ADJUSTABLE LOCKING PAWL	2	2	
07.07.08 07.07.24	GIESE SINIRLAYICI MAKASLAR GIESE	1	1	
07.09.08	GIESE ARKA KİLİTLEME GIESE BURGLAR BOLT			1

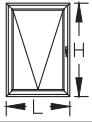


GIESSE CEPHE MAKASLARI  
GIESSE ARMS FOR CURTAIN WALL

Malzeme / Material : Paslanmaz Çelik  
Stainless Steel

ALTTAN DIŐA AÇILIR İÇİN / OUTWARD OPENING - TOP HUNG					
GIESSE DIŐA AÇILIM MAKAS GIESSE ARM FOR TOP HUNG	MAKAS BOYU ARM LENGHT	KANAT GENİŐLİĐİ SASH WIDTH (mm)	KANAT YÜKSEKLİĐİ SASH HEIGHT (mm)	KANAT AĐIRLIĐI SASH WEIGHT (Kg)	AÇMA DERECEŐİ OPENING ANGLE
07.03.71	10"	1500	650	50 kg	50°
07.03.72	16"	1500	800	100 kg	30°
				55 kg	50°
07.03.73	22"	1700	1500	100 kg	20°
				80 kg	45°
07.03.74	28"	1700	2000	100 kg	15°

ALTTAN DIŐA AÇILIR SETİ SEÇİM TABLOSU  
TABLE SET OF OUTWARD OPENING - TOP HUNG



KOD CODE	AÇIKLAMA DESCRIPTION	07.03.71 GIESSE CEPHE MAKASI	07.03.72 GIESSE CEPHE MAKASI	07.03.73 GIESSE CEPHE MAKASI	07.03.74 GIESSE CEPHE MAKASI
		L < 1500mm H < 650mm	L < 1500mm 650mm < H < 800mm	1500mm < L < 1700mm 800mm < H < 1500mm	1500mm < L < 1700mm 1500mm < H < 2000mm
07.05.69 07.05.70	PENCERE KOLU WINDOW HANDLE	1	1	1	1
07.25.09	GIESSE ÇİFT YÖNLÜ MEKANİZMA GIESSE MECHANISMS	1	1	1	1
11.02.41	GIESSE KASA İÇİ YÜKSELTME PARÇASI GIESSE	1	1	1	1
07.09.30	GIESSE AYARLI PİM KARŐILIĐI GIESSE ADJUSTABLE SINGLE STRIKER	2	2	2	2
07.13.06	GIESSE PİM GIESSE ADJUSTABLE LOCKING PAWL	2	2	2	2
07.07.08 07.07.24	GIESSE SINIRLAYICI MAKASLAR GIESSE	1	1	1	1

AKSESUARLAR / KAPI KOL VE KİLİTLERİ  
ACCESSORIES / DOOR HANDLE AND LOCKING KITS

01



07.14.06

GIESSE KAPI KOLU  
GIESSE DOOR HANDLE

Renk / Colour : Siyah-Beyaz-Gri  
Black-White-Grey

02



07.14.07

RESCARA GLOBAL KAPI KOLU  
RESCARA GLOBAL DOOR HANDLE

Renk / Colour : Siyah-Beyaz-Gri  
Black-White-Grey

03

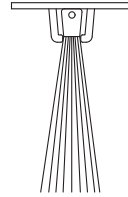


07.14.08

RESCARA MULETA KAPI KOLU  
RESCARA GLOBAL DOOR HANDLE

Renk / Colour : Siyah-Beyaz-Gri  
Black-White-Grey

04



17.02.01

KAPI ALTI FIRÇASI  
BRUSH FOR DOORS

Malzeme / Material : Polipropilen / Polypropylene

05

06

07

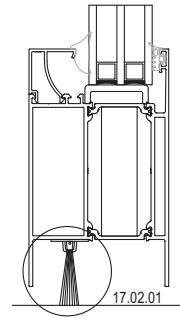
08

09

10

11

12

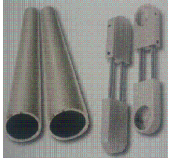


Ölçek/Scale: 1/3

# AKSESUARLAR / KAPI KOLLARI

## ACCESSORIES / DOOR HANDLES

### KAPI KOLLARI / DOOR HANDLES

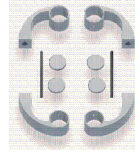


07.17.19

AKBANK KAPI KOLU  
DOOR HANDLE

Renk / Colour : Siyah-Beyaz-Gri-Eloksal  
Black-White-Grey-Anodised

Ölçüler / Dimensions: H:200 cm



07.13.10

AKBANK KOL APARATI  
DOOR HANDLE

Renk / Colour : Siyah-Beyaz-Gri-Eloksal  
Black-White-Grey-Anodised

KOD CODE	Ø (mm)	KIVRIK KOL DOOR HANDLE	
		A (mm)	B (mm)
07.17.10	25	200	130
07.17.11	25	300	130
07.17.02	25	400	130
07.17.27	25	500	160

KOD CODE	Ø (mm)	V KOL DOOR HANDLE		
		A (mm)	B (mm)	C (mm)
07.17.06	25	200	130	80
07.17.29	25	250	130	80
07.17.30	25	300	130	80
07.17.31	30	400	160	100

KOD CODE	Ø (mm)	U KOL DOOR HANDLE	
		A (mm)	B (mm)
07.17.08	25	200	80
07.17.35	25	300	80
07.17.36	30	400	100

KOD CODE	Ø (mm)	YARIM AY KOL DOOR HANDLE		
		A (mm)	B (mm)	C (mm)
07.17.32	25	200	130	80
07.17.20	25	300	130	80
07.17.33	30	350	160	100

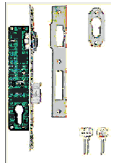
KOD CODE	Ø (mm)	YAY KOL DOOR HANDLE	
		A (mm)	B (mm)
07.17.37	80	400	350
07.17.22	80	500	450
07.17.38	80	600	550
07.17.39	80	700	650
07.17.40	80	800	750

KOD CODE	Ø (mm)	BASTON KOL DOOR HANDLE		
		A (mm)	B (mm)	C (mm)
07.17.23	25	900	180	80
07.17.34	25	1000	180	80

# AKSESUARLAR / KAPI KOL VE KİLİTLERİ

## ACCESSORIES / DOOR HANDLE AND LOCKING KITS

### KAPI KİLİTLERİ / DOOR LOCKS



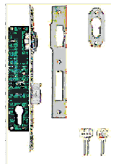
**18.01.01**

MAKARALI KİLİT  
MORTISE LOCK (WITH ROLLER)



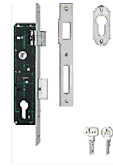
**18.01.02**

DİLLİ KİLİT  
MORTISE LOCK



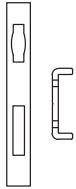
**18.01.09**

MAKARALI KİLİT  
MORTISE LOCK (WITH ROLLER)



**18.01.08**

DİLLİ KİLİT  
MORTISE LOCK



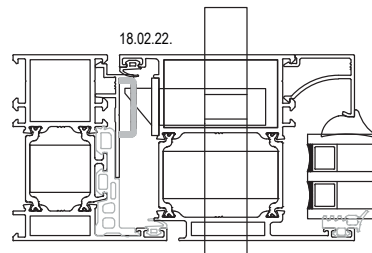
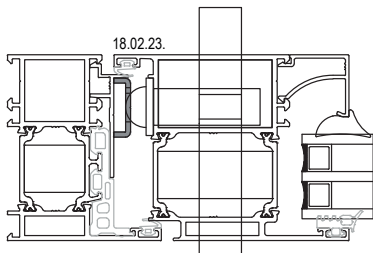
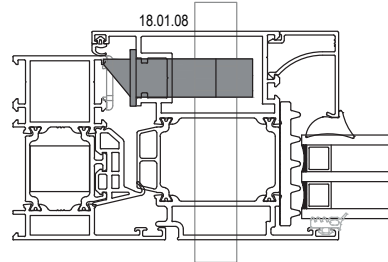
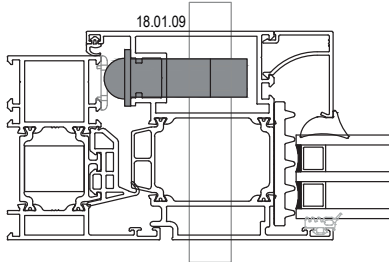
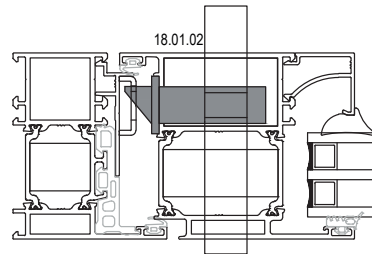
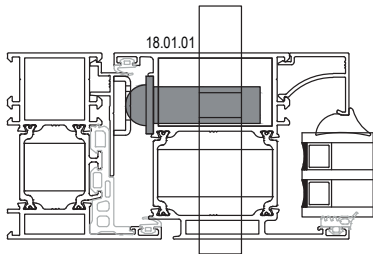
**18.02.23**

MAKARALI KİLİT KARŞILIĞI  
STRIKER FOR ROLLER LOCK



**18.02.22**

DİLLİ KİLİT KARŞILIĞI  
STRIKER FOR MORTISE LOCK



Ölçek/Scale: 1/3

01

02

03

04

05

06

07

08

09

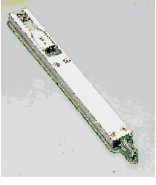
10

11

12

# AKSESUARLAR / KAPI KOL VE KİLİTLERİ

## ACCESSORIES / DOOR HANDLE AND LOCKING KITS



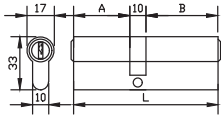
18.03.01

KAPI SÜRGÜSÜ (UZUN)  
BOLT FOR DOORS (LONG)



18.03.06

KAPI SÜRGÜSÜ (KISA)  
BOLT FOR DOORS (SHORT)

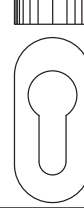


18.04.19

BAREL  
CYLINDER

Malzeme / Material : Krom-Nikel / Chrome-Nickel

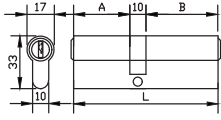
A	B	L
26	60	96



18.05.02

BAREL AYNASI  
CYLINDER COVER

Renk / Colour : Siyah-Beyaz-Grey  
Black-White-Grey

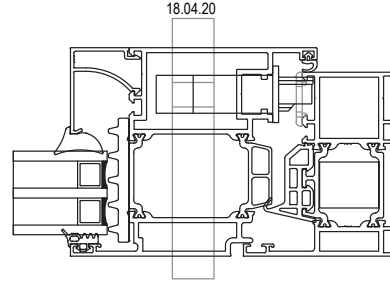
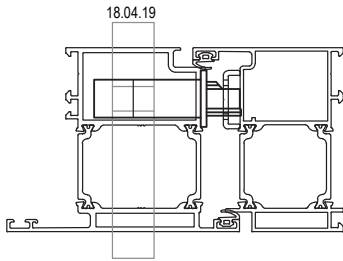


18.04.20

BAREL  
CYLINDER

Malzeme / Material : Krom-Nikel / Chrome-Nickel

A	B	L
26	70	106



Ölçek/Scale: 1/3

01

02

03

04

05

06

07

08

09

10

11

12